

# CRA

## CRA HYDRAULIC ROTARY JOINT



### NEW PRODUCT INFORMATION

According to the continuous improvement of domestic machining customers, there are more and more requirements for four-axis fixtures. We have screened the feedback information of customers and customized the CRA rotary joint for customers. Welcome to buy. If you have any questions about the model selection, please feel free to contact our technician. Thank you for your support!

### SPECIFICATION

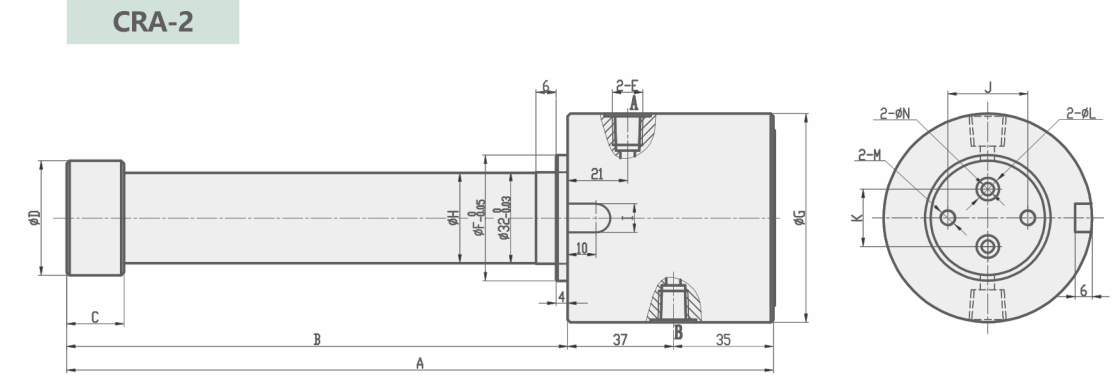
MODEL	CRA/CRB/CRC-2	CRA/CRB/CRC-4	CRA/CRB/CRC-6
Number of Ports	2	4	6
Usable fluid	General Hydraulic Oil Equivalent to ISO-VG-32		
Max. Operating pressure (MPa)	25		
Max. Speed	Varies due to fluid pressure		
Range of Temperature (C°)	0~70		
Gewindeausführung	Rp1/8		
Weight (kg)	255	3.18	3.80
	320	3.57	4.37
	400	3.76	4.76

### ORDERING INDICATION

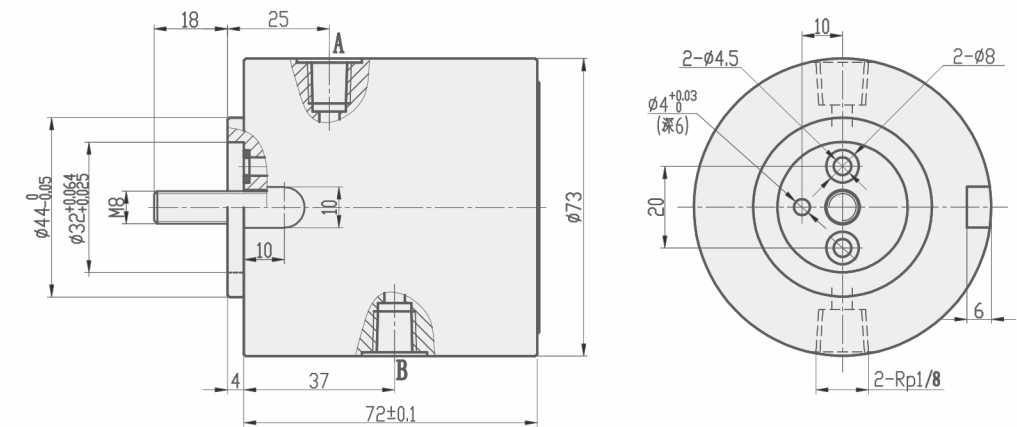
#### CRA-2-255

MODEL	Number of Ports	Model
CRA: Rotary Joint	2	255/320/400
CRB: Oil Distributor	4	255/320/400
CRC: Joint	6	320/400

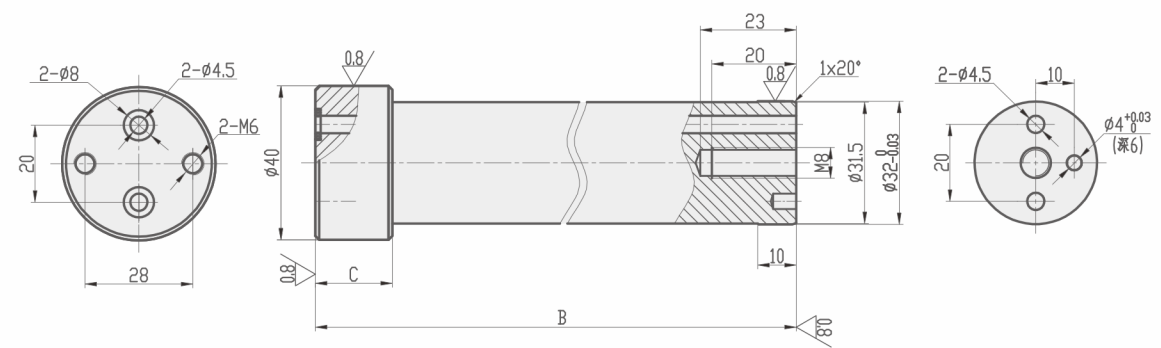
### CRA/CRB/CRC-2



#### CRB-2



#### CRC-2



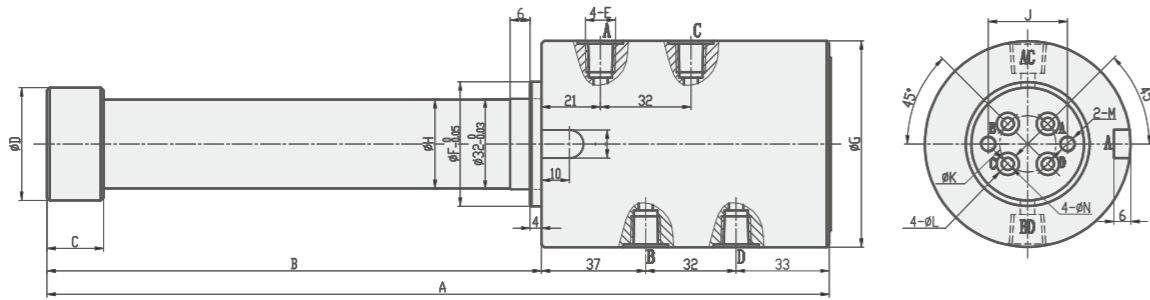
Unit:mm

Model	A	B	C	D	E	F	G	H	I	J	K	L	M	N
CRA/CRB/CRC-2-255	247	175	20	40	RP1/8	44	73	31.5	10	28	20	8.0	M6	4
CRA/CRB/CRC-2-320	317	245	20	40	RP1/8	44	73	31.5	10	28	20	8.0	M6	4
CRA/CRB/CRC-2-400	362	290	20	40	RP1/8	44	73	31.5	10	28	20	8.0	M6	4

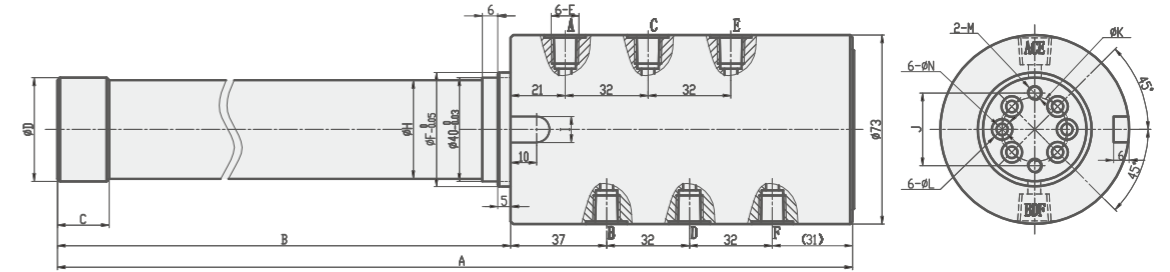
CRA/CRB/CRC-4

CRA/CRB/CRC-6

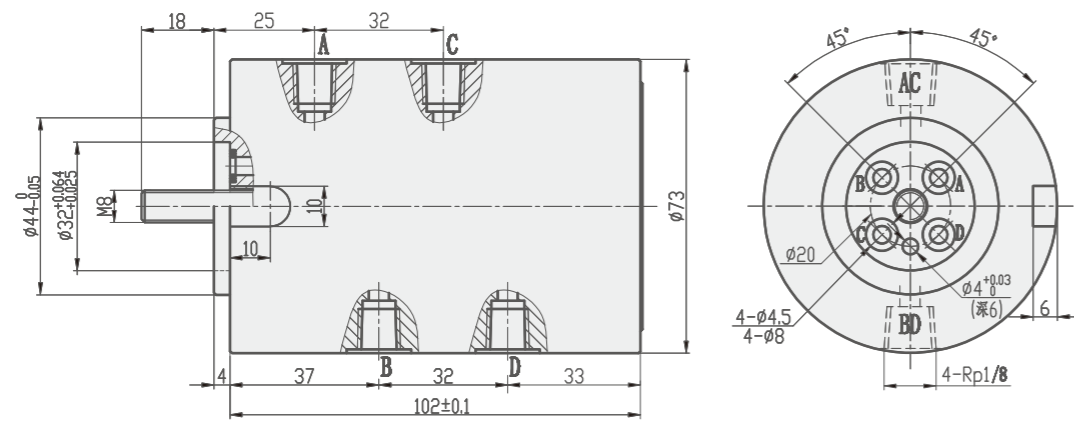
CRA-4



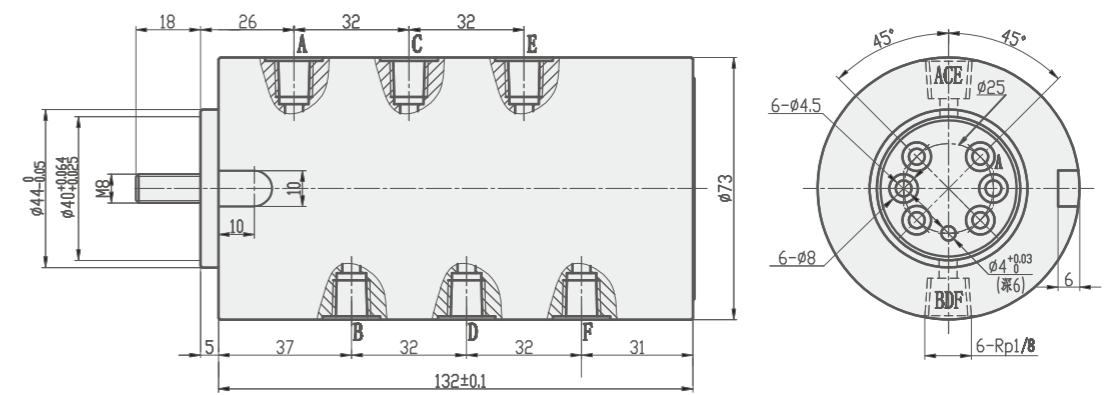
CRA-6



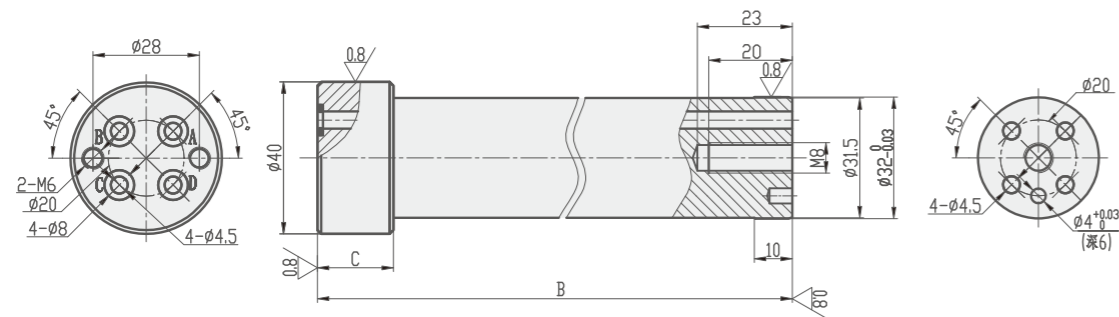
CRB-4



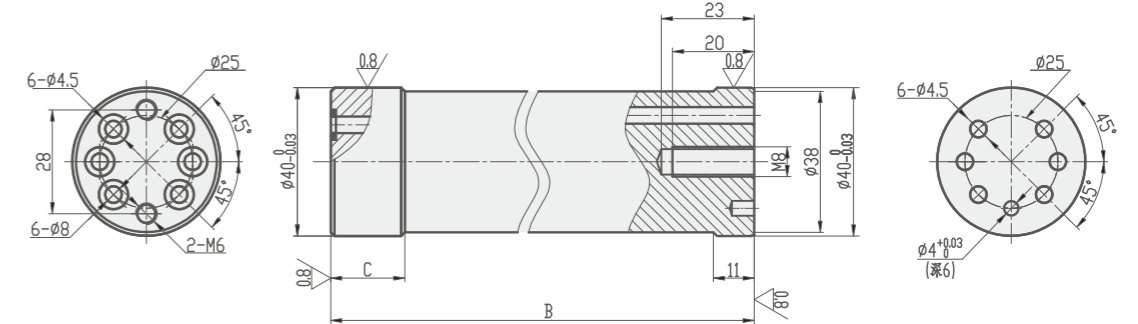
CRB-6



CRC-4



CRC-6



Unit:mm

型號 Model	A	B	C	D	E	F	G	H	I	J	K	L	M	N
CRA/CRB/CRC-4-255	277	175	20	40	RP1/8	44	73	31.5	10	28	20	8.0	M6	4
CRA/CRB/CRC-4-320	347	245	20	40	RP1/8	44	73	31.5	10	28	20	8.0	M6	4
CRA/CRB/CRC-4-400	392	290	20	40	RP1/8	44	73	31.5	10	28	20	8.0	M6	4

Unit:mm

型號 Model	A	B	C	D	E	F	G	H	I	J	K	L	M	N
CRA/CRB/CRC-6-320	377	245	20	40	RP1/8	44	73	38	10	28	25	8.0	M6	4
CRA/CRB/CRC-6-400	422	290	20	40	RP1/8	44	73	38	10	28	25	8.0	M6	4