

CTC-K

CTC-K HYDRAULIC THREAD CYLINDER



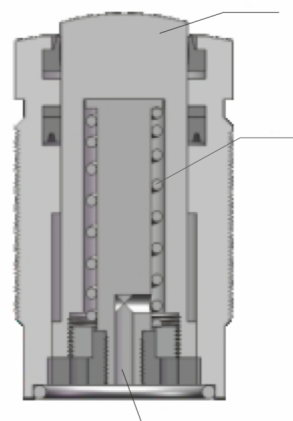
FEATURES

The Thread-body single acting hydraulic cylinder use imported oil seal and accessories to guarantee the quality . No oil leakage while clamping in high pressure for a long time.The volume of the thread-body single acting hydraulic cylinder is small. It can be utilized in a small space in the fixture.This hydraulic cylinder is used to extend out, and when spring returns, but it can't be used for pulling back.

The angle degree between the cylinder and workpiece could not be larger than 10°while installing. The bottom of the cylinder barrel needs a leakage-proof gasket.


Max. operating pressure: 250 kgf/cm²
 Min. operating pressure: 20 kgf/cm²
 Single acting

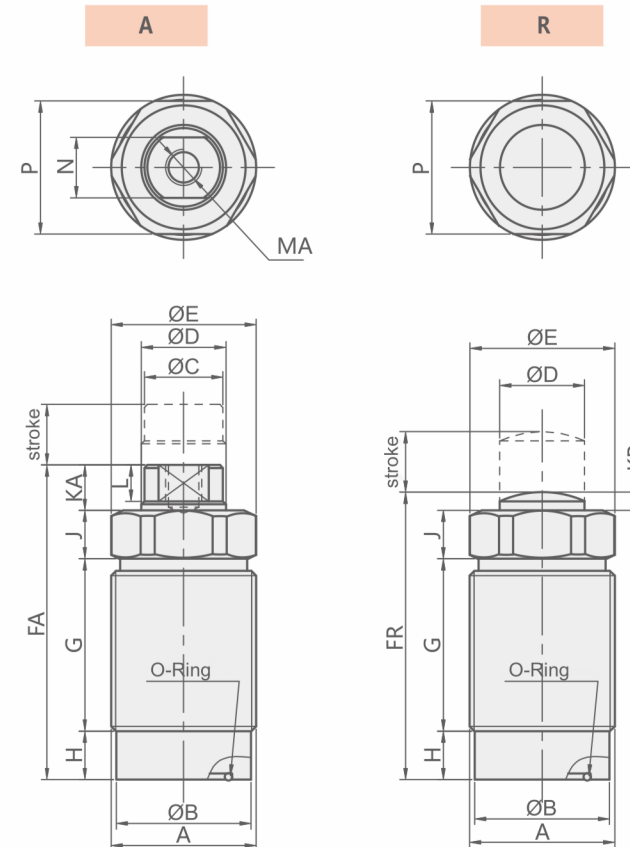
Sectional view



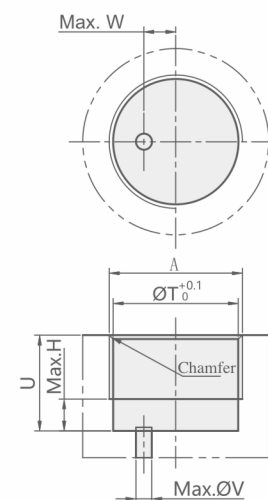
ORDERING INDICATION

CTC-K024AL

| CTC-K | Series | CTC-K |
|-------|---------------------|--|
| 024 | 024/030/036/045/055 | |
| A | TYPE | It can be divided into A and R  |
| L | STROKE | Please refer to the dimension table for the more details |



Machining Dimensions of Mounting Area



External dimensions and machine dimensions for mounting Unit:mm

| MODEL | CTC-K024 | CTC-K030 | CTC-K036 | CTC-K045 | CTC-K055 | |
|---------|-----------|-----------|-----------|----------|----------|---------|
| A | M24×1.5 | M30×1.5 | M36×1.5 | M45×1.5 | M55×2 | |
| B | 22.3 | 28.3 | 34.3 | 43.3 | 52.6 | |
| C | 13 | 17 | 19 | 28 | 34.5 | |
| D | 14 | 18 | 22.4 | 30 | 35.5 | |
| E | 24.5 | 30 | 35.5 | 45 | 55 | |
| FA | S | 39.5 | 43.5 | 51 | 59 | 64 |
| | M | 47 | 52.5 | 64 | 72 | 79.5 |
| | L | 63.5 | 72 | 85 | 94.5 | 102 |
| G | S | 17.5 | 18 | 23.5 | 23 | 27 |
| | M | 25 | 27 | 36.5 | 36 | 42.5 |
| L | 41.5 | 46.5 | 57.5 | 58.5 | 65 | |
| H | 8 | 9 | 10 | 12 | 12 | |
| J | 7 | 8 | 8 | 12 | 12 | |
| KA | 7 | 8.5 | 9.5 | 12 | 13 | |
| L | 5.5 | 7 | 8 | 10 | 11 | |
| MA | M6×7 | M8×10 | M8×10 | M10×11 | M12×12 | |
| N | 10 | 14 | 17 | 24 | 30 | |
| P | 22 | 27 | 32 | 41 | 50 | |
| T | 22.5 | 28.5 | 34.5 | 43.5 | 53 | |
| U | S | 14<U<24 | 15<U<26 | 16<U<32 | 18<U<34 | 20<U<38 |
| | M | 14<U<32 | 15<U<35 | 16<U<45 | 18<U<47 | 30<U<53 |
| | L | 14<U<48 | 15<U<54 | 16<U<66 | 18<U<69 | 20<U<76 |
| V | 3 | 6 | 6 | 8 | 8 | |
| W | 5.5 | 6 | 8 | 10 | 13 | |
| Chamfer | C1 | C1 | C1 | C1 | C1.5 | |
| O | AS568-017 | AS568-020 | AS568-120 | P31.5 | P39 | |

External dimensions and machine dimensions for mounting Unit:mm

| MODEL | CTC-K024 | CTC-K030 | CTC-K036 | CTC-K045 | CTC-K055 | |
|---------|-----------|-----------|-----------|----------|----------|---------|
| A | M24×1.5 | M30×1.5 | M36×1.5 | M45×1.5 | M55×2 | |
| B | 22.3 | 28.3 | 34.3 | 43.3 | 52.6 | |
| D | 14 | 18 | 22.4 | 30 | 35.5 | |
| E | 24.5 | 30 | 35.5 | 45 | 55 | |
| FR | S | 35 | 38 | 45 | 51 | 56 |
| | M | 42.5 | 47 | 58 | 64 | 71.5 |
| | L | 59 | 66.5 | 79 | 86.5 | 94 |
| G | S | 17.5 | 18 | 23.5 | 23 | 27 |
| | M | 25 | 27 | 36.5 | 36 | 42.5 |
| L | 41.5 | 46.5 | 57.5 | 58.5 | 65 | |
| H | 8 | 9 | 10 | 12 | 12 | |
| J | 7 | 8 | 8 | 12 | 12 | |
| KR | 2.5 | 3 | 3.5 | 4 | 5 | |
| P | 22 | 27 | 32 | 41 | 50 | |
| T | 22.5 | 28.5 | 34.5 | 43.5 | 53 | |
| U | S | 14<U<24 | 15<U<26 | 16<U<32 | 18<U<34 | 20<U<38 |
| | M | 14<U<32 | 15<U<35 | 16<U<45 | 18<U<47 | 30<U<53 |
| | L | 14<U<48 | 15<U<54 | 16<U<66 | 18<U<69 | 20<U<76 |
| V | 3 | 6 | 6 | 6 | 8 | |
| W | 5.5 | 6 | 8 | 10 | 13 | |
| Chamfer | C1 | C1 | C1 | C1 | C1.5 | |
| O | AS568-017 | AS568-020 | AS568-120 | P31.5 | P39 | |

SPECIFICATIONS

| MODEL | CLAMPING FORCE AT 250kgf/cm ² (kgf) | TOTAL STROKE(mm) | CYLINDER CAPACITY CLAMP(cm ³) | EFF.PISTON AREA CLAMP(cm ²) | RANGE OF TEMPERATURE(°C) | USABLE FLUID |
|----------|--|------------------|---|---|--------------------------|--|
| CTC-K024 | 388 | S:8/M:12/L:20 | 1.2/1.8/3.1 | 1.5 | 0~+70°C | Recommended: ISO-VG-32 hydraulic oil equivalent to ISO viscosity grade |
| CTC-K030 | 643 | S:8/M:12/L:20 | 2/3.1/5.5 | 2.5 | 0~+70°C | |
| CTC-K036 | 990 | S:10/M:16/L:25 | 3.9/6.3/9.9 | 3.9 | 0~+70°C | |
| CTC-K045 | 1775 | S:10/M:16/L:25 | 7.1/11.3/17.7 | 7.1 | 0~+70°C | |
| CTC-K055 | 2479 | S:12/M:20/L:32 | 11.9/19.8/31.7 | 9.9 | 0~+70°C | |