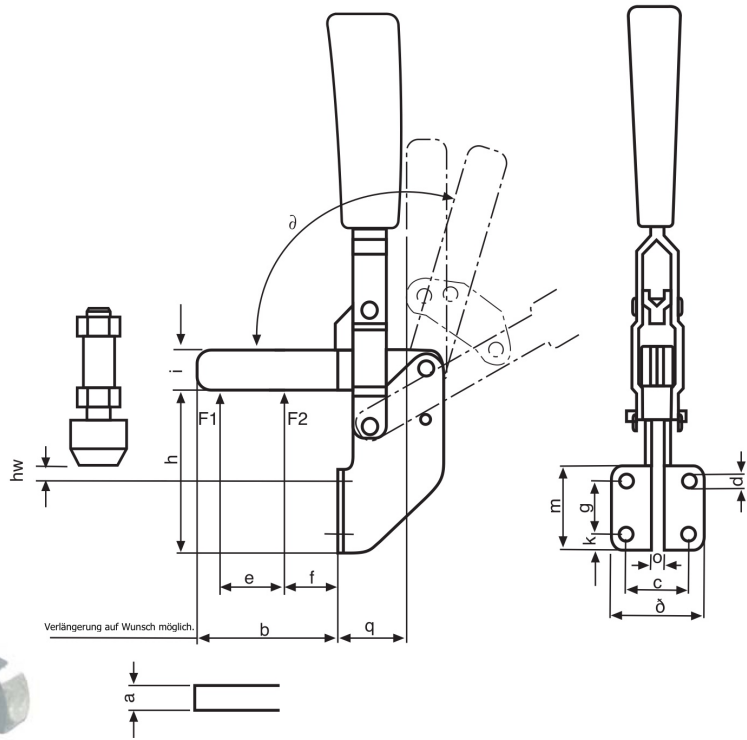


**M12L Senkrechtspanner- massiver Haltearm-Winkelfuß**

**M12L**

*Vertical acting toggle clamps with solid arm with open clamping arm and vertical base.*  
Galvanized and passivated. Rivets of stainless steel running in case hardened bushing , with bearing spots greased.  
Ergonomic handle of red high quality oil-resistant plastic.  
Supplied complete with tempered, galvanized clamping screw



Size	F1 (kN)	F2 (kN)			hw		
2	1.0	1.2	135	76	2 ± 11	M6 x 35	220
3	1.8	2.5	235	105	6 ± 18	M8 x 45	470
4	2	3	270	141	11 ± 40	M8 x 65	740

Size	a	b	c	d	e	f	g	h	i	k	l	m	o	q	delta
2	5	40	25.5	6	25	9	22	61	12	6	37	34	5	24	105°
3	6	58	31.5	7.5	30	14	24	73	18	7	45	39	6	31	105°
4	8	77.5	42	8.5	35	19	28	77	20	7	60	42	8	35	105°