

M12 Senkrechtspanner-Vertikalspanner Winkelfuß

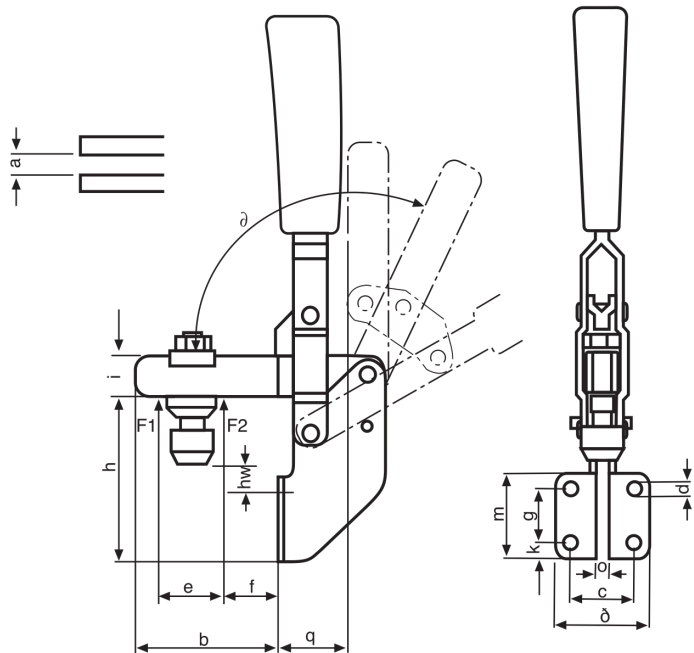
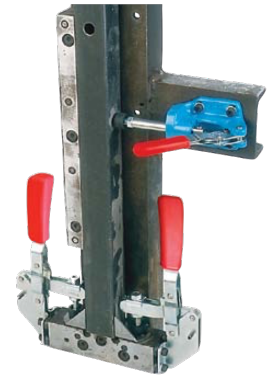
M12

Vertical acting toggle clamps

with open clamping arm and vertical base.

Galvanized and passivated. Rivets of stainless steel running in case hardened bushing, with bearing spots greased. Ergonomic handle of red high quality oil-resistant plastic.

Supplied complete with tempered, galvanized clamping screw no.803



Size	F1 (kN)	F2 (kN)			hw		
1	0.8	1.1	132	60	-1.5 ÷ 5.5	M5 x 30	125
2	1.0	1.2	135	76	2 ÷ 11	M6 x 35	220
3	1.8	2.5	235	105	6 ÷ 18	M8 x 45	470
4	2	3	270	141	11 ÷ 40	M8 x 65	740

Size	a	b	c	d	e	f	g	h	i	k	l	m	o	q	∠
1	5	38	25	4.5	19	8	14.5	45	10	5.5	35.5	25	6	16	105°
2	6	40	25.5	6	25	9	22	61	12	6	37	34	5	24	105°
3	8.2	58	31.5	7.5	30	14	24	73	18	7	45	39	6	31	105°
4	10	77.5	42	8.5	35	19	28	77	20	7	60	42	8	35	105°