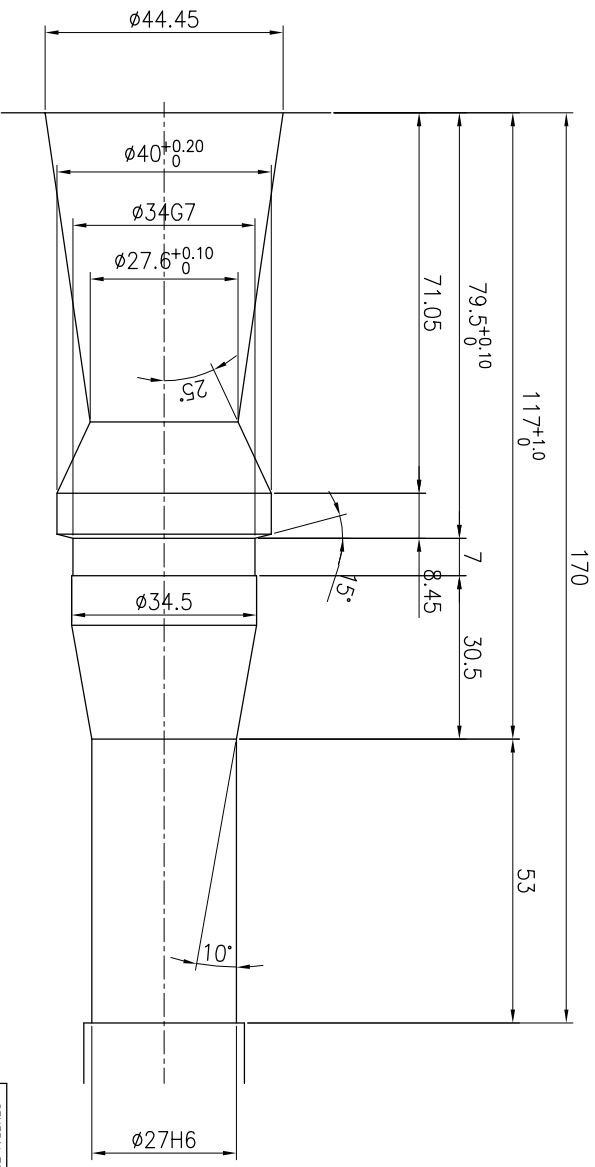
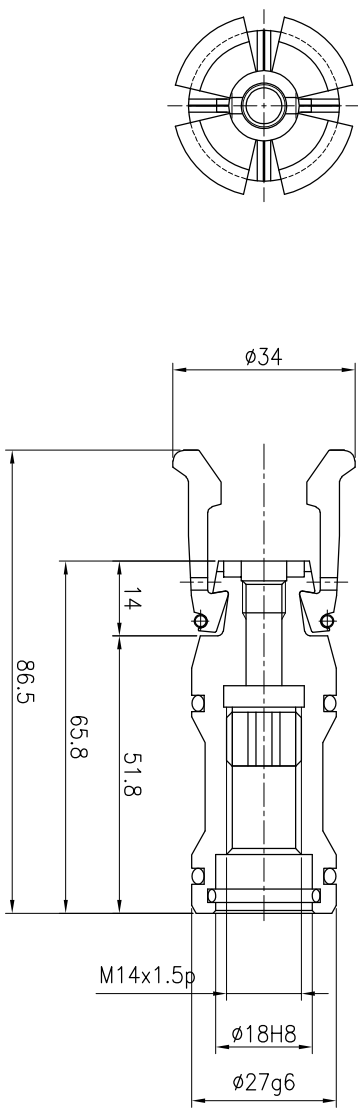


MARK	DATE	ECONO.	NO.	DETAIL OF REVISION	CHECKED	APPROVED
△	*	*	*		*	*



**NOTE**

1. CAT40, DIN69871 TOOL용 PULL STUD BOLT  
DIN 69872
2. MAX. CLAMP FORCE : 1500kgf
3. 추천 CLAMP FORCE : 1000kgf

**SPINDLE 내부 치수**

GENERAL TOLERANCE (MACHINING)		APPROVED	HEAT TREAT	TITLE	
0.5 - 6	±0.1	*	*	SKT 신광테크	
6 - 30	±0.2	CHECK	MATERIAL	MODEL COLLET	
30 - 120	±0.3	*	SURF. TREAT	TOOL COLLET	
120 - 315	±0.5	DESIGNED			
315 - 1000	±0.8	*	SCALE	DWG. NO. A3	
1000 - 2000	±1.2	DES'D DATE	QTY	STC40-D40T-01	
2000 - 2000	±1.2	16.06.17	1	* / *	
각도공차 ANG.TOL.	일반공차 GEN. CH.				