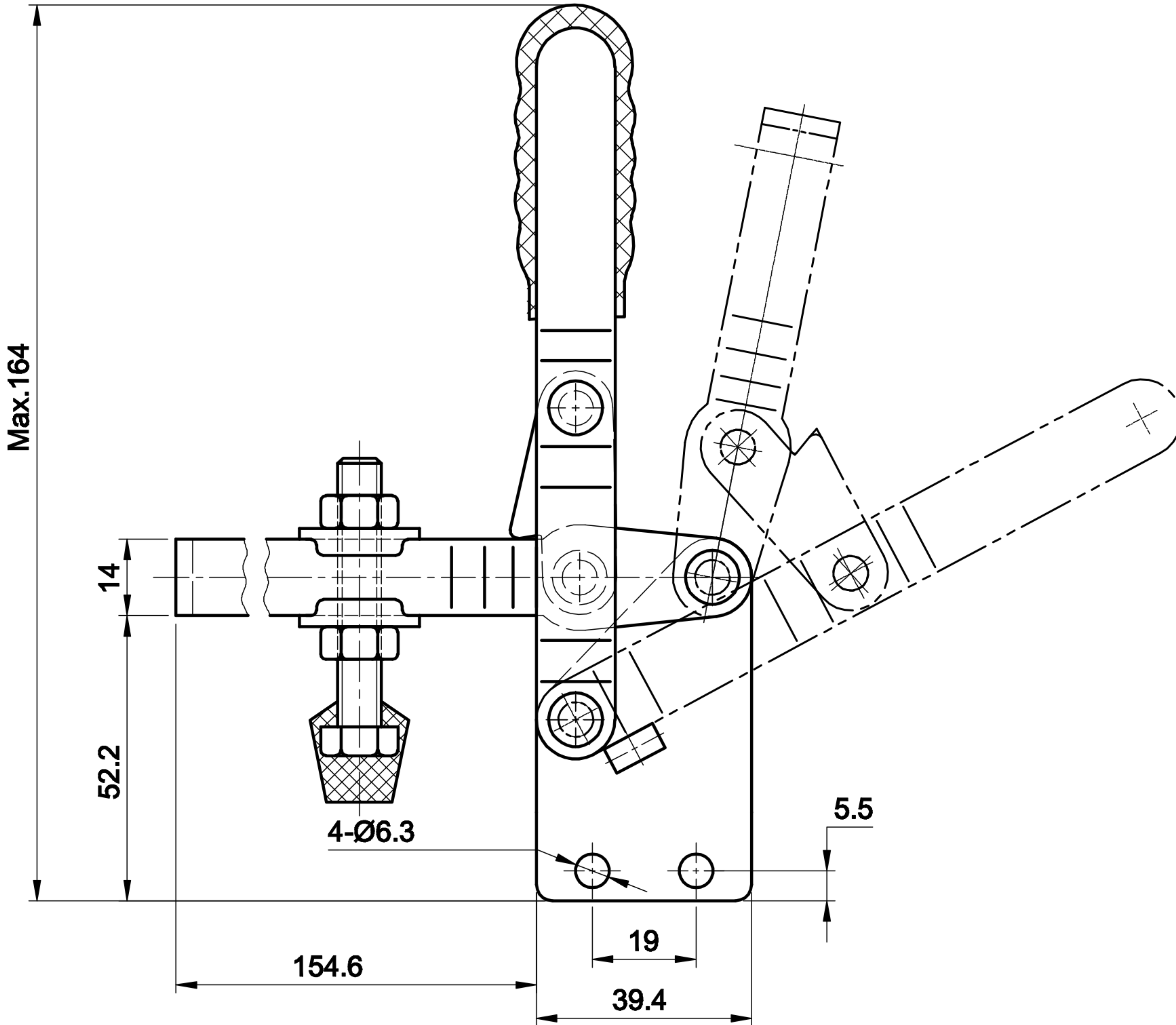
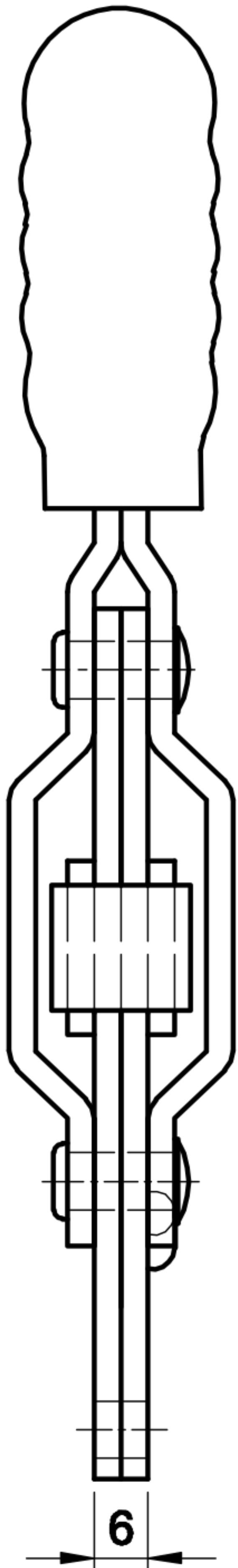
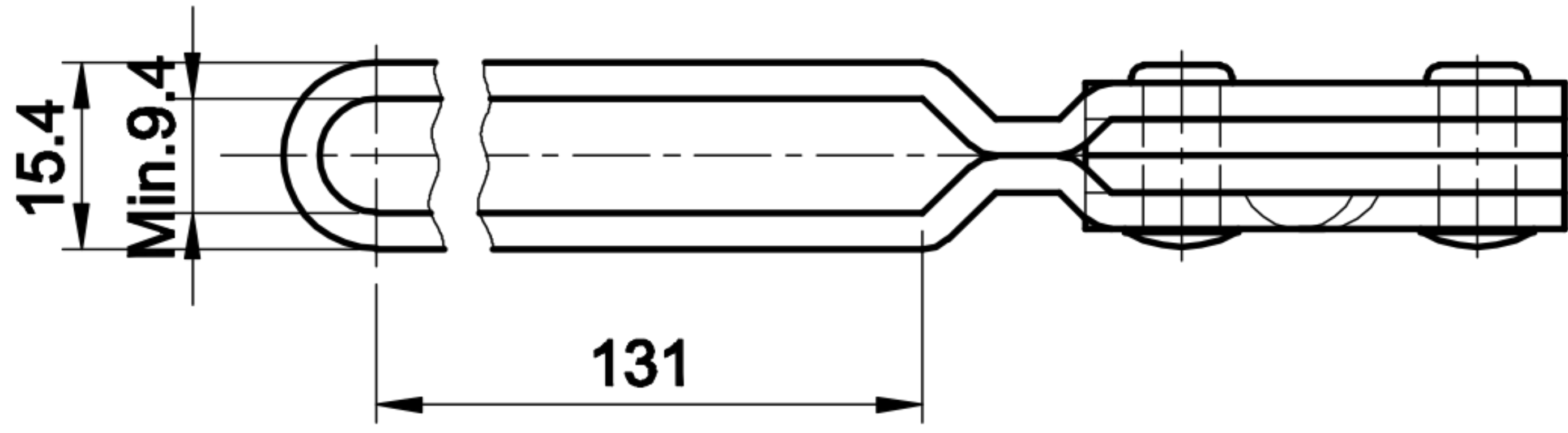


DST-101-DI-15



BAR OPENS:100°

HANDLE OPENS:60°

SPINDLE SUPPLIED:CH-FC-56212