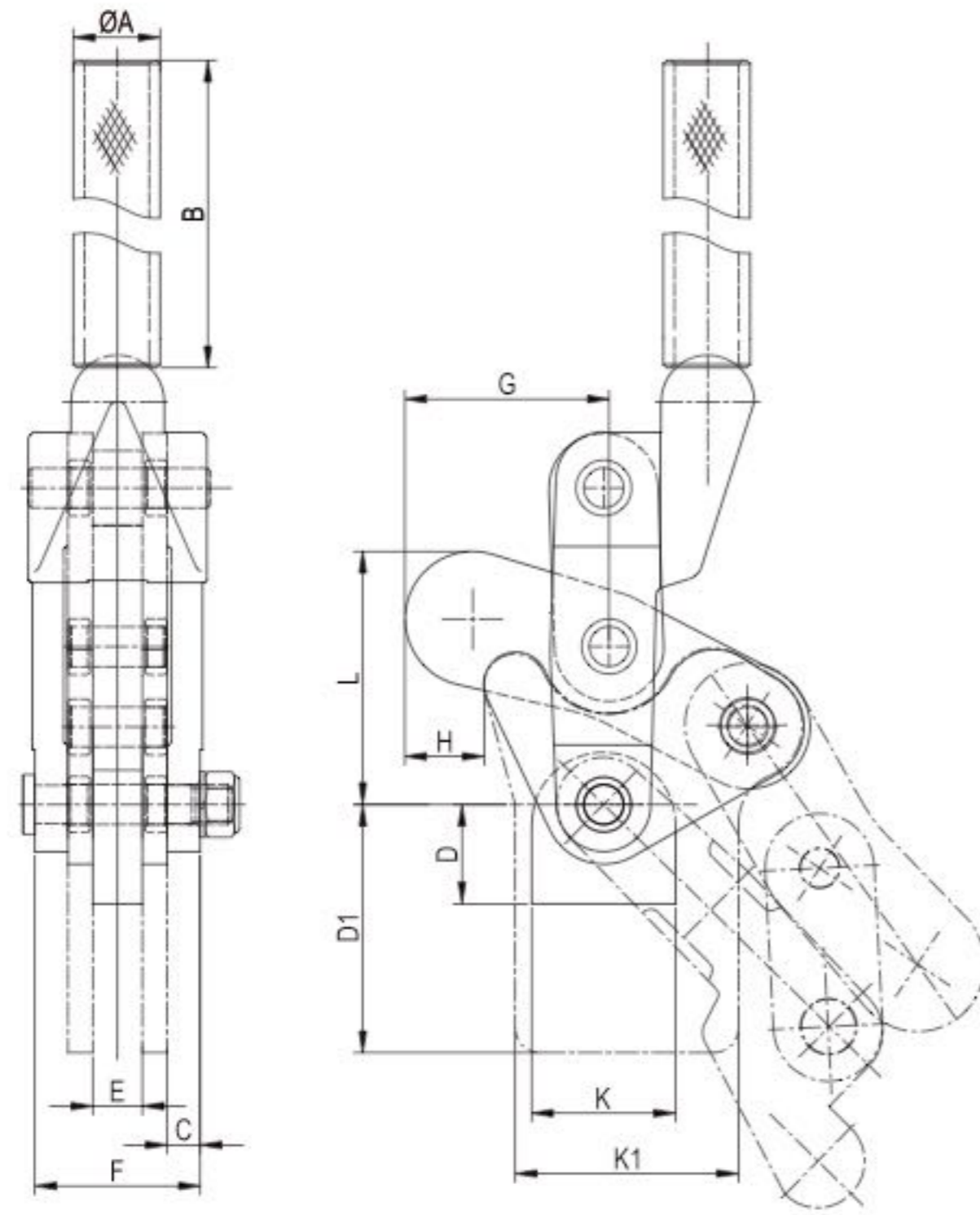




Material: Forged alloy steel.

MODEL	HOLDING CAPACITY(kgf)	WEIGHT (g)	BAR OPENS	HANDLE OPENS
CH-70305	500	790	214°	134°
CH-70310	500	850	214°	134°
CH-70315	500	940	214°	134°
CH-70505	1000	1355	206°	130°
CH-70510	1000	1490	206°	130°
CH-70515	1000	1590	206°	130°
CH-70605	2000	2550	206°	130°
CH-70610	2000	2870	206°	130°
CH-70615	2000	2990	206°	130°

CH-70305 THRU CH-70615



Unit:mm

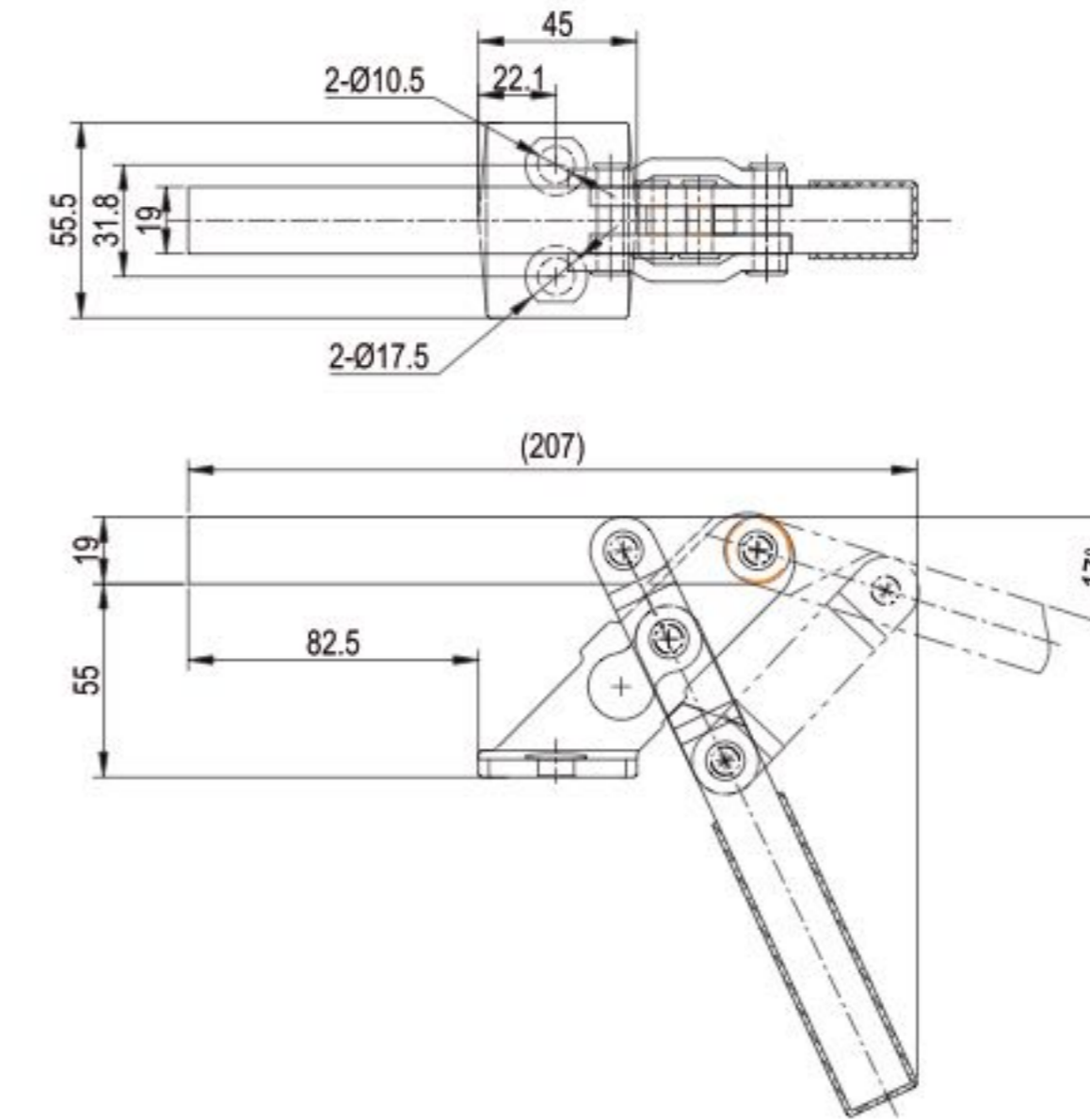
MODEL	ΦA	B	C	D	D1	E	F	G	H	K	K1	L
CH-70305	17.5	125	6.7	-	-	10	32.4	40	16	-	-	51
CH-70310	17.5	125	6.7	20	-	10	32.4	40	16	29	-	51
CH-70315	17.5	125	6.7	-	50	10	32.4	40	16	-	45	51
CH-70505	21.5	125	9.35	-	-	12.3	41	57	26	-	-	73
CH-70510	21.5	125	9.35	28	-	12.3	41	57	26	38.5	-	73
CH-70515	21.5	125	9.35	-	63.5	12.3	41	57	26	-	51	73
CH-70605	27	125	10.3	-	-	16	48.6	74.3	33	-	-	91
CH-70610	27	125	10.3	33	-	16	48.6	74.3	33	51	-	91
CH-70615	27	125	10.3	-	76	16	48.6	74.3	33	-	63.5	91



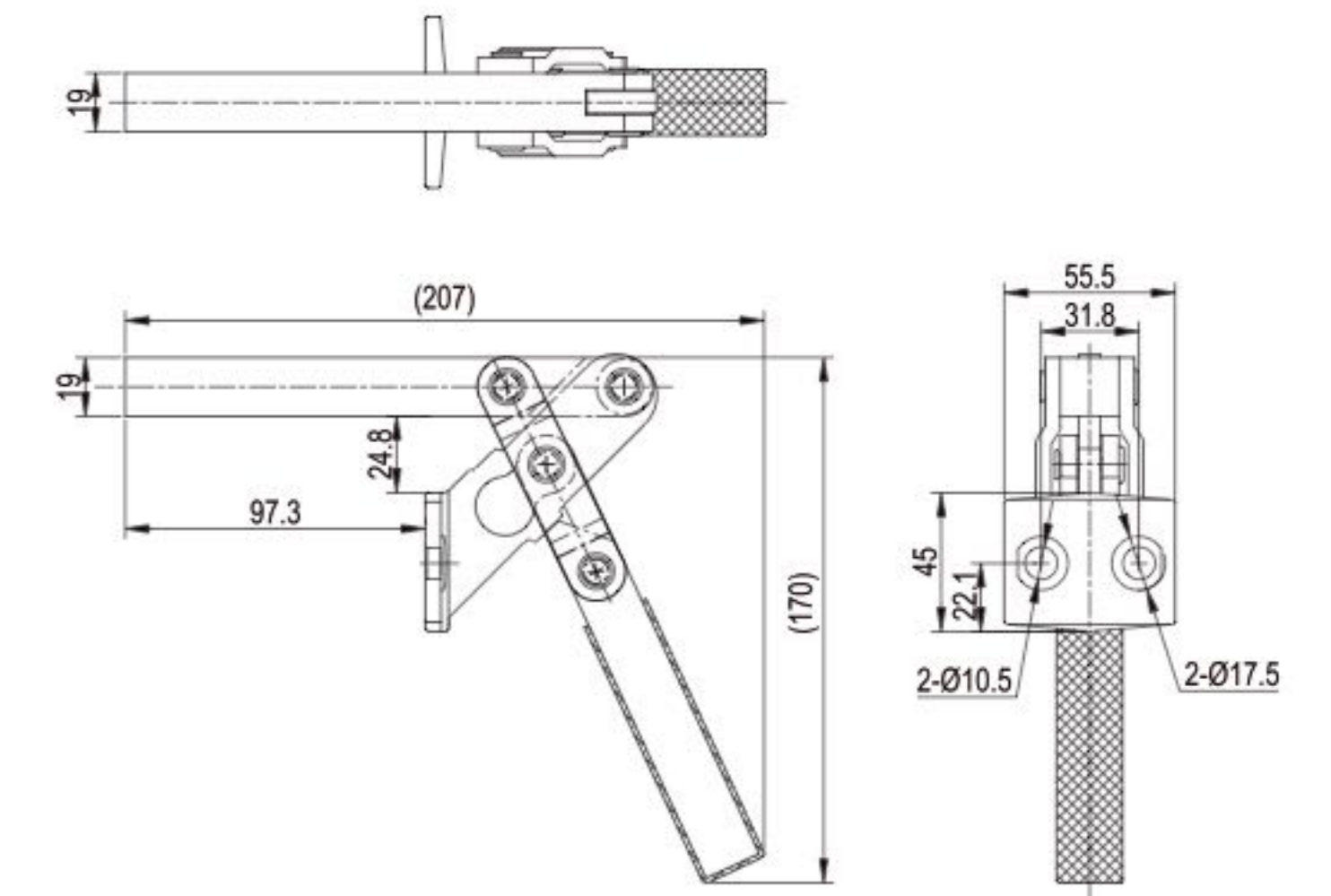
CH-75027M CH-75027M-SM

Material: Cast steel.

CH-75027M



CH-75027M-SM

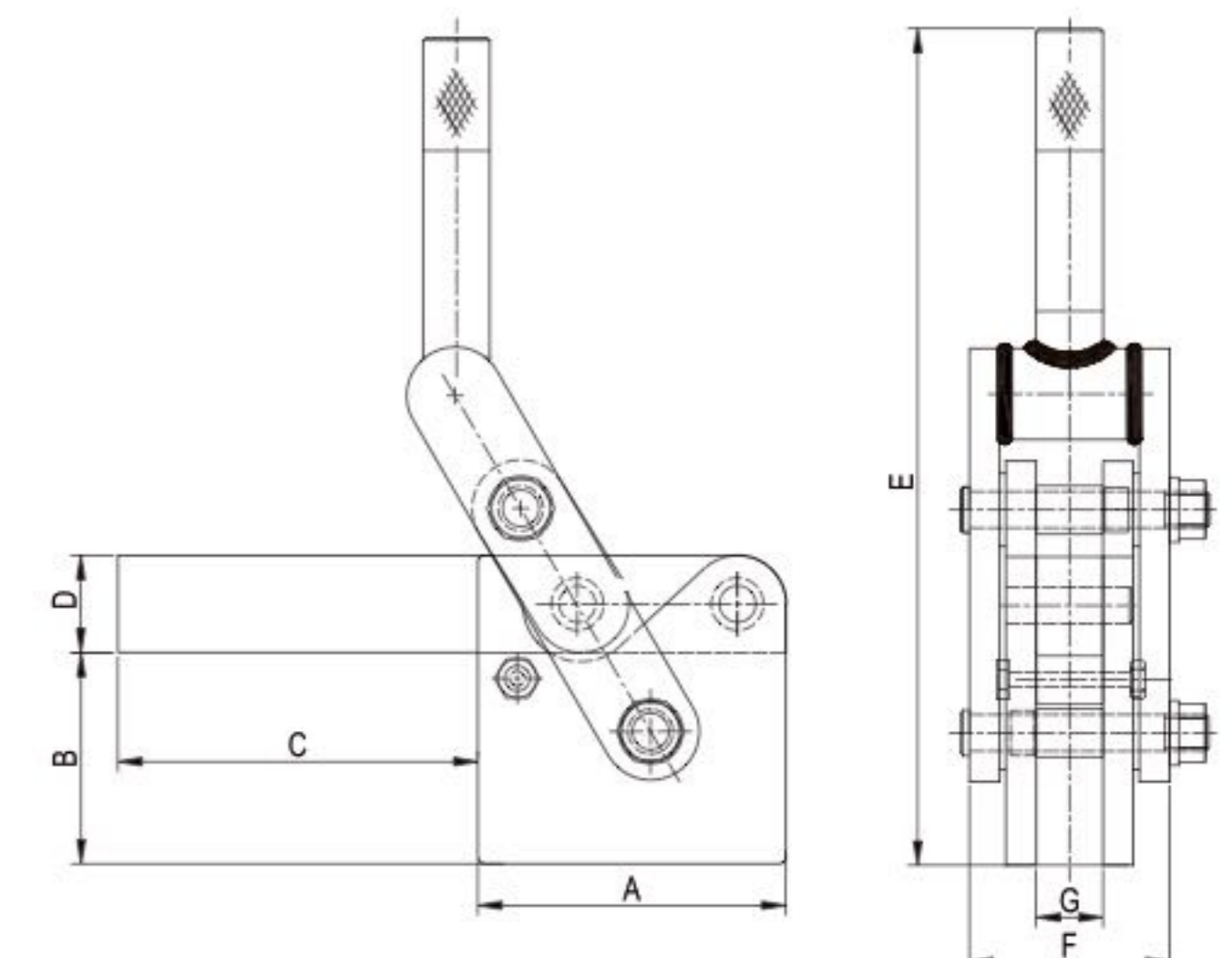


CH-75048 CH-75078 CH-75088

Material: Steel.

MODEL	HOLDING CAPACITY(kgf)	WEIGHT (g)	BAR OPENS	HANDLE OPENS
CH-75048	700	2700	190°	125°
CH-75078	1600	4300	185°	120°
CH-75088	2500	6350	185°	120°

CH-75048 THRU CH-75088



Unit:mm

MODEL	A	B	C	D	E	F	G
CH-75048	82.5	67.3	109	25.4	264.5	56	19
CH-75078	101.5	69.5	118.5	32	272	66	22
CH-75088	127	82.5	124.5	38	323	70.4	25.4





Material: Forged alloy steel and steel.

MODEL	HOLDING CAPACITY(kgf)	WEIGHT (g)	BAR OPENS	HANDLE OPENS
CH-70320	300	290	202°	125°
CH-70300T	300	250	194°	123°
CH-70300B	300	310	34°~130°	45°~92°
CH-70710	700	700	205°	130°
CH-70715	700	800	205°	130°
CH-70720	700	1180	205°	130°
CH-70725	700	1250	180°	120°
CH-71210	1200	1720	195°	130°
CH-71215	1200	1880	195°	130°
CH-71220	1200	1930	195°	130°
CH-71225	1200	2110	180°	125°
CH-72410	2400	2900	195°	130°
CH-72415	2400	3200	195°	130°
CH-72420	2400	3750	195°	130°
CH-72425	2400	4100	195°	130°



Material: Forged alloy steel and steel.

MODEL	HOLDING CAPACITY(kgf)	WEIGHT (g)	BAR OPENS	HANDLE OPENS
CH-70200A	250	300	200°	128°
CH-70200B	250	300	164°	128°
CH-70730A	700	1280	200°	128°
CH-70730B	700	1280	164°	128°
CH-71230A	1200	2120	200°	128°
CH-71230B	1200	2120	164°	128°
CH-72430A	2400	3780	200°	128°
CH-72430B	2400	3780	164°	128°

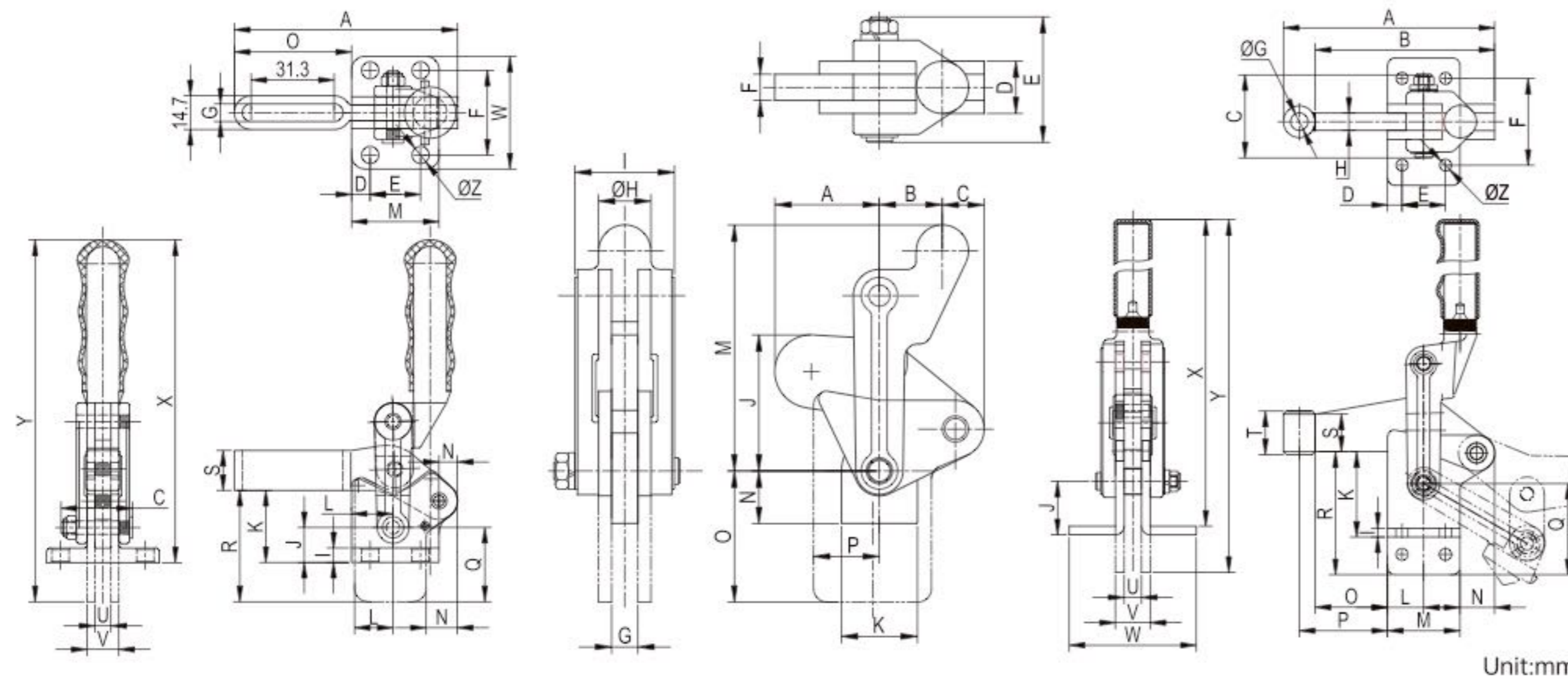
CH-70200A / CH-70730A / CH-71230A / CH-72430A

CH-70200B / CH-70730B / CH-71230B / CH-72430B

CH-70320 / CH-70300B

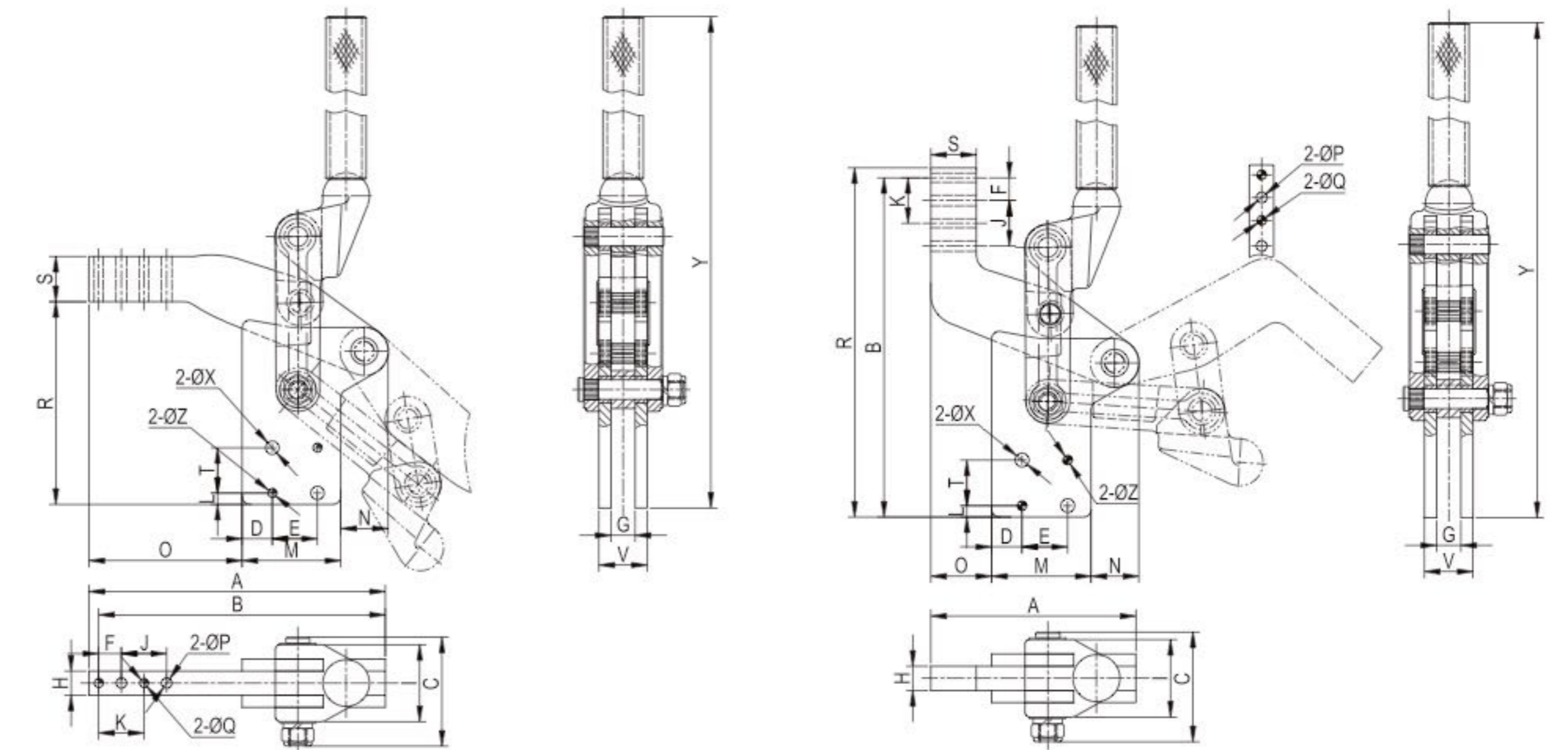
CH-70710 / CH-71210 / CH-72410  
CH-70715 / CH-71215 / CH-72415

CH-70720 / CH-71220 / CH-72420  
CH-70725 / CH-71225 / CH-72425



Unit:mm

MODEL	A	B	C	D	E	F	G	H	I	J	K	L	M	N	O	P	Q	R	S	T	U	V	W	X	Y	Z
CH-70320	84	-	27	-	-	-	6.7	-	-	-	-	14.5	27	12	45.5	-	28	42	15	-	6	12	-	-	136	-
CH-70300T	29	14	10	12	27	6	6	16	20	32	-	27	106	-	28	15	-	-	-	-	-	-	-	-	-	-
CH-70300B	84	-	27	7	19	32	6.7	-	5.5	13	27.2	15.65	33	7	44.2	-	-	-	15	-	-	-	-	42.5	121.7	6.5
CH-70710	40	24	16	20	48	10	10	20	38	52	29	-	94	20	-	-	-	-	-	-	-	-	-	-	-	-
CH-70715	40	24	16	20	48	10	10	20	38	52	-	45	94	-	50	25	-	-	-	-	-	-	-	-	-	-
CH-70720	-	105	48	10	25	-	-	10	5	-	-	25	45	20	40	-	50	70	22	-	10	20	-	-	240.6	8.3
CH-70725	127	105	48	10	25	50	12.2	10	5	28.8	48.5	25	45	20	40	51	-	-	22	30	-	-	67	219	-	8.3
CH-71210	51	25	24	24	56	12	12	22	43.8	81	38	-	113	28	-	-	-	-	-	-	-	-	-	-	-	-
CH-71215	51	25	24	24	56	12	12	22	43.8	81	-	50	113	-	63	25	-	-	-	-	-	-	-	-	-	-
CH-71220	-	124	56	10	30	-	12.2	12	6	-	-	25	50	24	50	-	63	85	26	-	12	24	-	-	278	8.3
CH-71225	146	124	56	10	30	60	12.2	12	6	37	59	25	50	24	50	61	-	-	26	30	-	-	88	252.4	-	8.3
CH-72410	72	32	26	32	66	16	16	30	53	91	52	-	144	33	-	-	-	-	-	-	-	-	-	-	-	-
CH-72415	72	32	26	32	66	16	16	30	53	91	-	63	144	-	78.5	40	-	-	-	-	-	-	-	-	-	-
CH-72420	-	158	66	12	40	-	-	16	-	-	-	40	63	35	60	-	78.5	107.5	-	-	16	32	-	-	320	-
CH-72425	188	158	66	12	40	75	16.3	16	8	46	75	40	63	35	60	75	-	-	32	38	-	-	105	295	-	10.3



Unit:mm

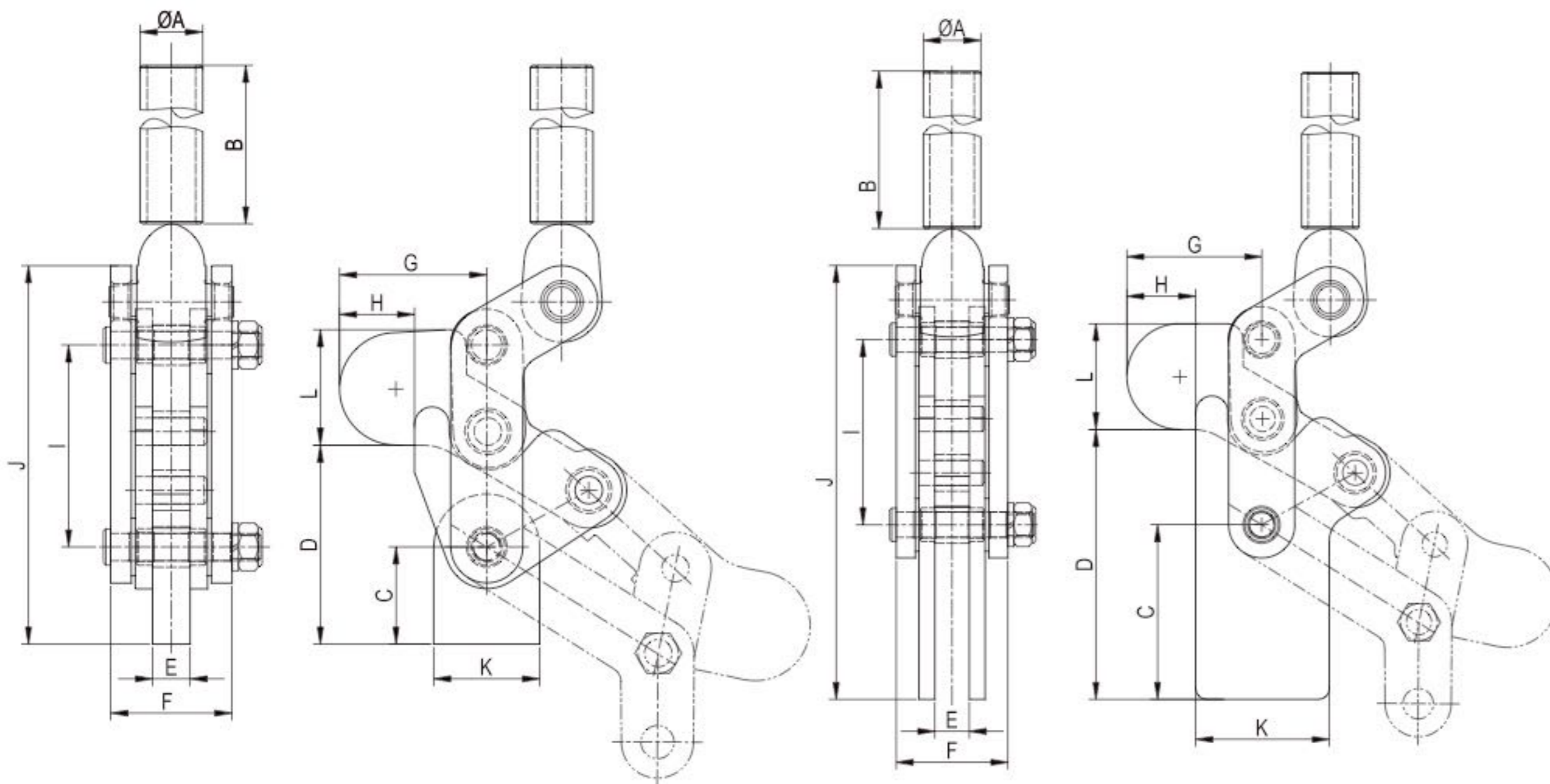
MODEL	A	B	C	D	E	F	G	H	I	J	K	L	M	N	O	P	Q	R	S	T	V	ΦX	Y	Z
CH-70200A	90.2	84	27	5.9	15	7.5	6	15	20	15	15	5	26.8	8.1	55.3	5.5	4	45	15	15	12	5.5	156.7	4
CH-70200B	53	95.1	27	5.9	15	7.5	6	15	20	15	15	5	26.8	8.1	18.1	5.5	4	101.3	15	15	12	5.5	156.7	4
CH-70730A	141	133	48	10.5	24	15	10	15	35	30	30	10	45	20	75.7	7	6	79	20	19	20	9	242	6
CH-70730B	81	158	48	10.5	24	15	10	15	35	30	30	10	45	20	15.7	7	6	166	20	19	20	9	242	6
CH-71230A	172.5	164.5	55	11.3	30	15	12	15	43.8	30	30	8	52.8	23	96.7	7	6	104	30	30	24	9	277.5	6
CH-71230B	109.5	196	55	11.3	30	15	12	15	43.8	30	30	8	52.8	23	33.7	7	6	203.5	30	30	24	9	277.5	6
CH-72430A	198.5	192	67.5	20	30	15	16	16	52	30	30	7.5	65.5	31.5	101.5	7	6	134.5	30	30	32	9	343	6
CH-72430B	137	223.5	67.5	20	30	15	16	16	52	30	30	7.5	65.5	31.5	40	7	6	230	30	30	32	9	343	6





Material: Forged alloy steel and steel.

MODEL	HOLDING CAPACITY(kgf)	WEIGHT (g)	BAR OPENS	HANDLE OPENS
CH-702-C	200	680	194°	123°
CH-70201	200	680	194°	123°
CH-702-D	500	1560	191°	122°
CH-70203	500	1480	191°	122°
CH-702-K	1000	2550	197°	128°
CH-701-C	200	740	194°	123°
CH-70101	200	700	194°	123°
CH-701-D	500	1680	191°	122°
CH-70103	500	1590	191°	122°
CH-701-K	1000	2650	197°	128°



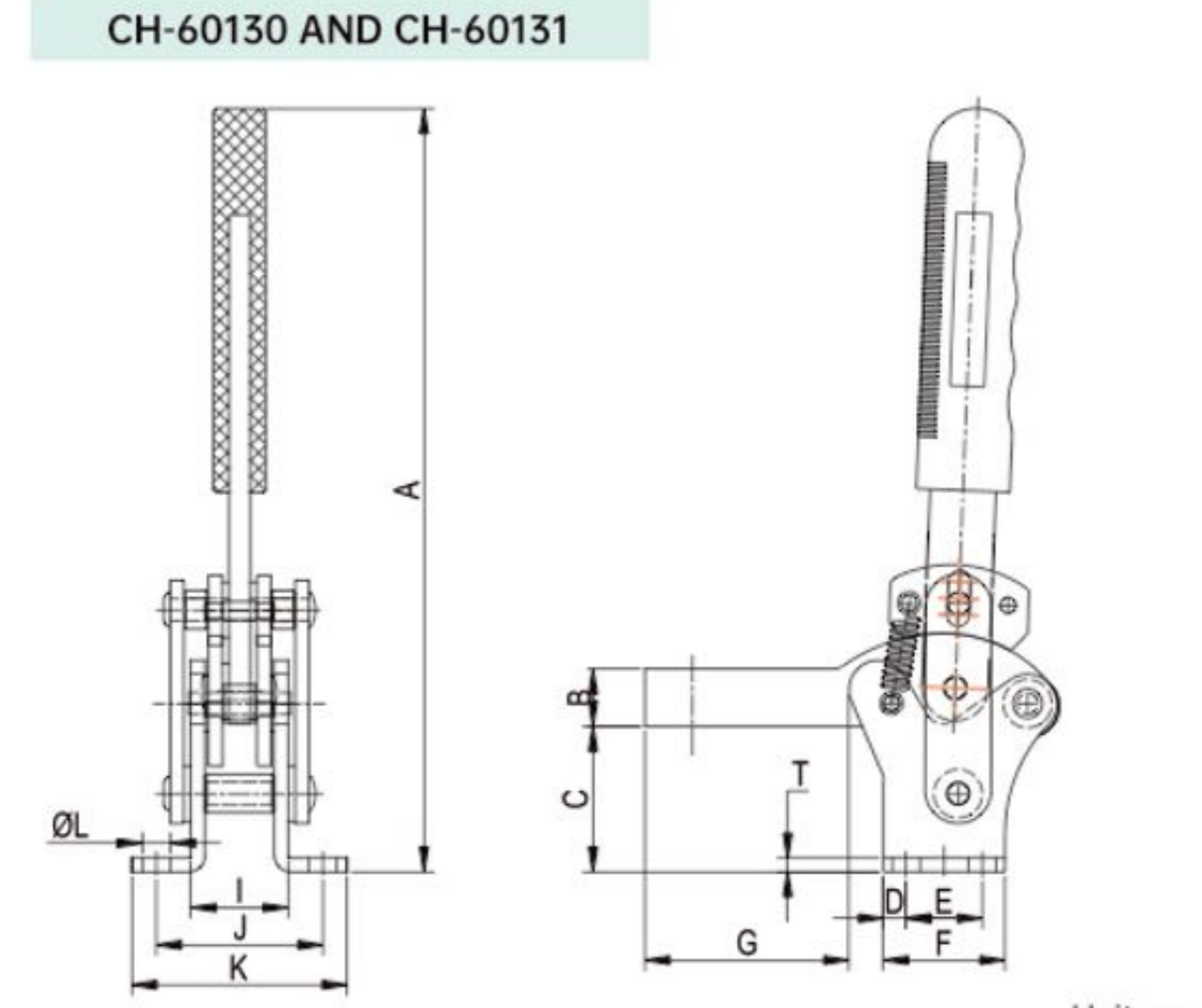
Unit:mm

MODEL	A	B	C	D	E	F	G	H	I	J	K	L
CH-702-C	17.3	152.4	23.5	48	8	31.8	40.6	17	51	93	26	28
CH-70201	17.3	152.4	23.5	48	8	31.8	40.6	17	51	93	26	28
CH-702-D	21.7	152.4	33.4	69	13	42	51	26	70	132	36.7	39
CH-70203	21.7	152.4	33.4	71	13	42	51	26	70	132	36.7	39
CH-702-K	27.2	152.4	37.2	80.3	16	46	57.7	26.7	90	161	50	50.5
CH-701-C	17.3	152.4	50.3	75	8	31	40.6	17	51	121	44.8	28
CH-70101	17.3	152.4	50.3	75	8	31	40.6	17	51	121	44.5	28
CH-701-D	21.7	152.4	65.8	102	13	42	51	26	70	165	50.5	39
CH-70103	21.7	152.4	65.8	102	13	42	51	26	70	165	50.5	39
CH-701-K	27.2	152.4	78.5	122	16	46	57.7	23.3	90	202	63	50.5



Material: Steel.

MODEL	HOLDING CAPACITY(kgf)	WEIGHT (g)	SPINDLE SUPPLIED	BAR OPENS	HANDLE OPENS
CH-60130	250	680	CH-SF-38300	70°	165°
CH-60131	350	1590	CH-SF-12400	85°	170°



Unit:mm

MODEL	A Max.	B	C Min.	D	E	F	G	H	I	J	K	ØL	T
CH-60130	222	19.5	39.4	6.5	22	35	58	118.9	20	48	62	8.5	4
CH-60131	252	22	60.3	9	30	48	111	180.5	25	57	77	9	4.5