



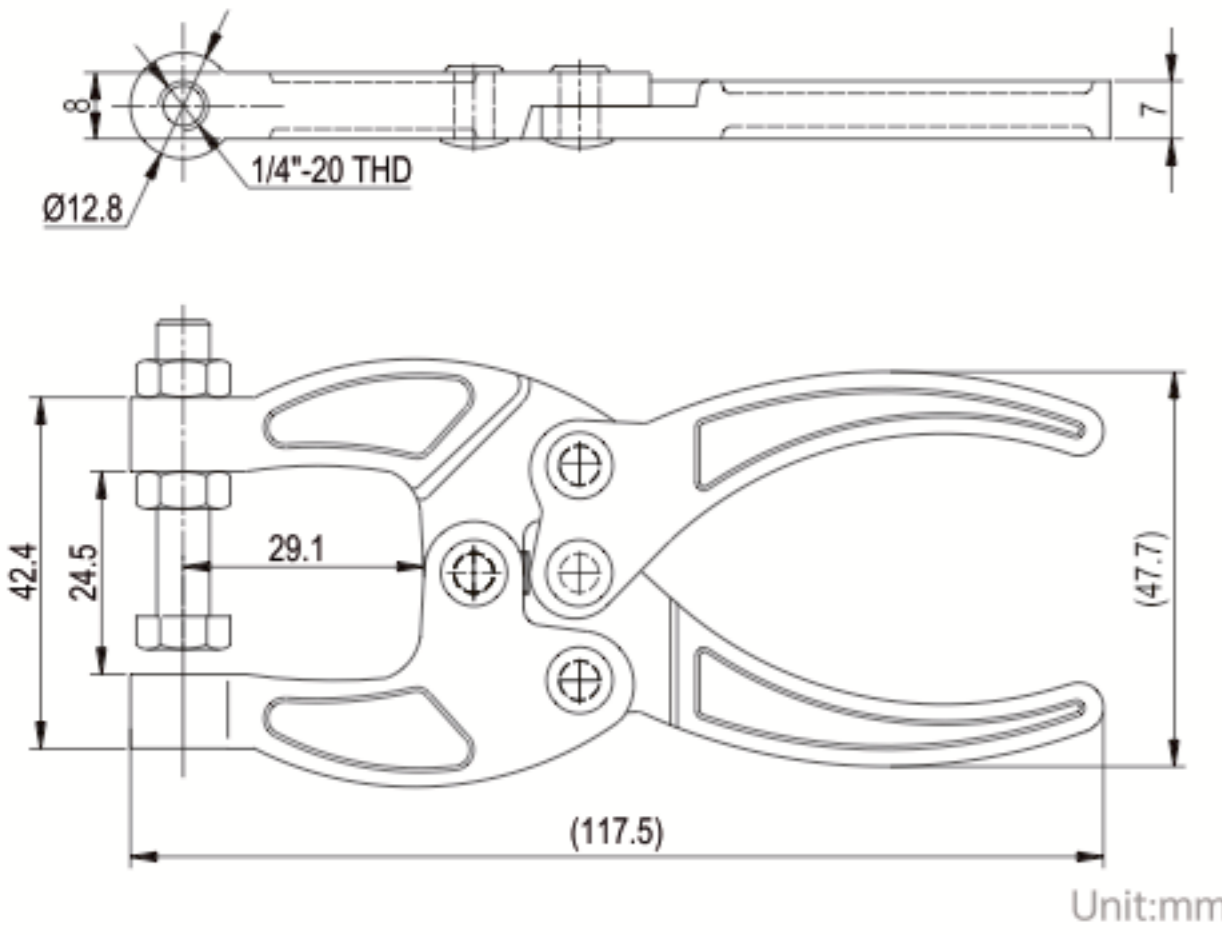
DST-50350 DST-50350-1 DST-50360



DST-50380 DST-50385 DST-50450

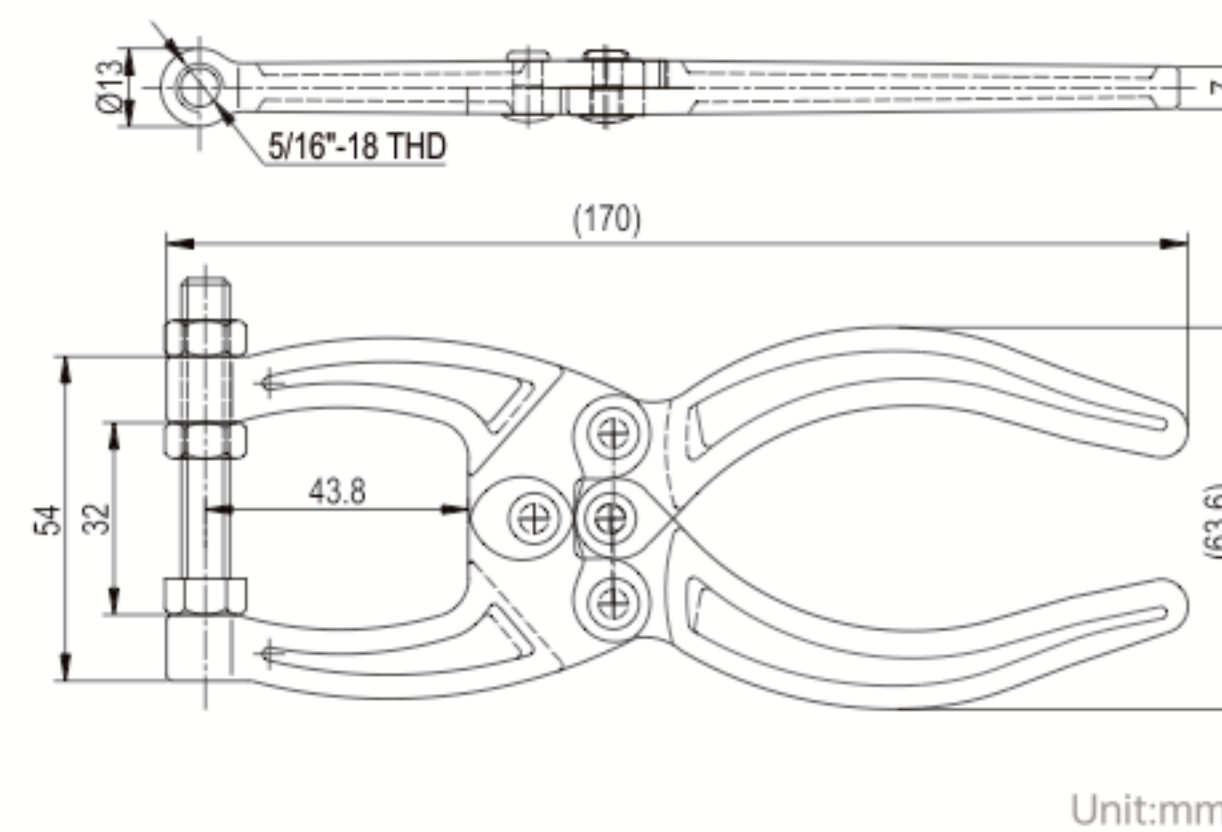
Material: Forged steel.

DST-50350



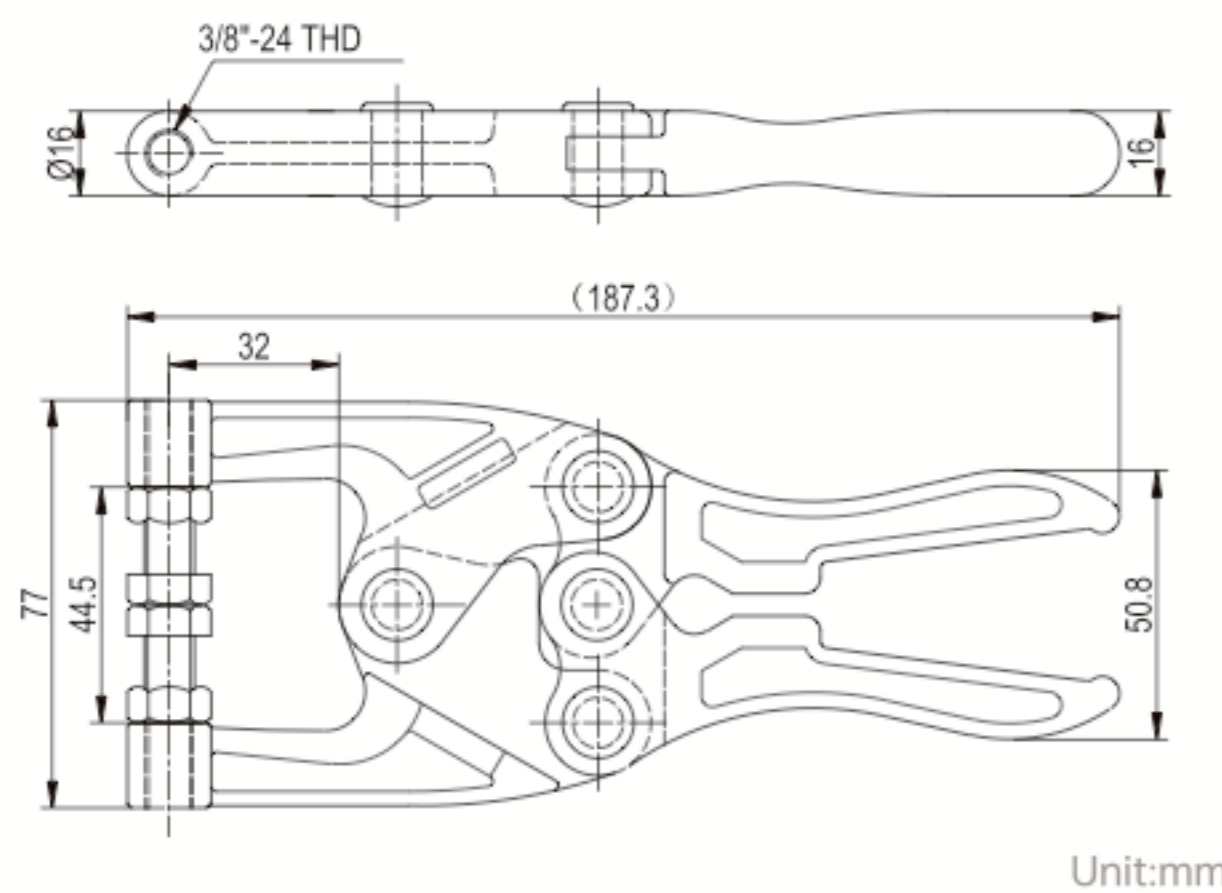
Unit:mm

DST-50360



Unit:mm

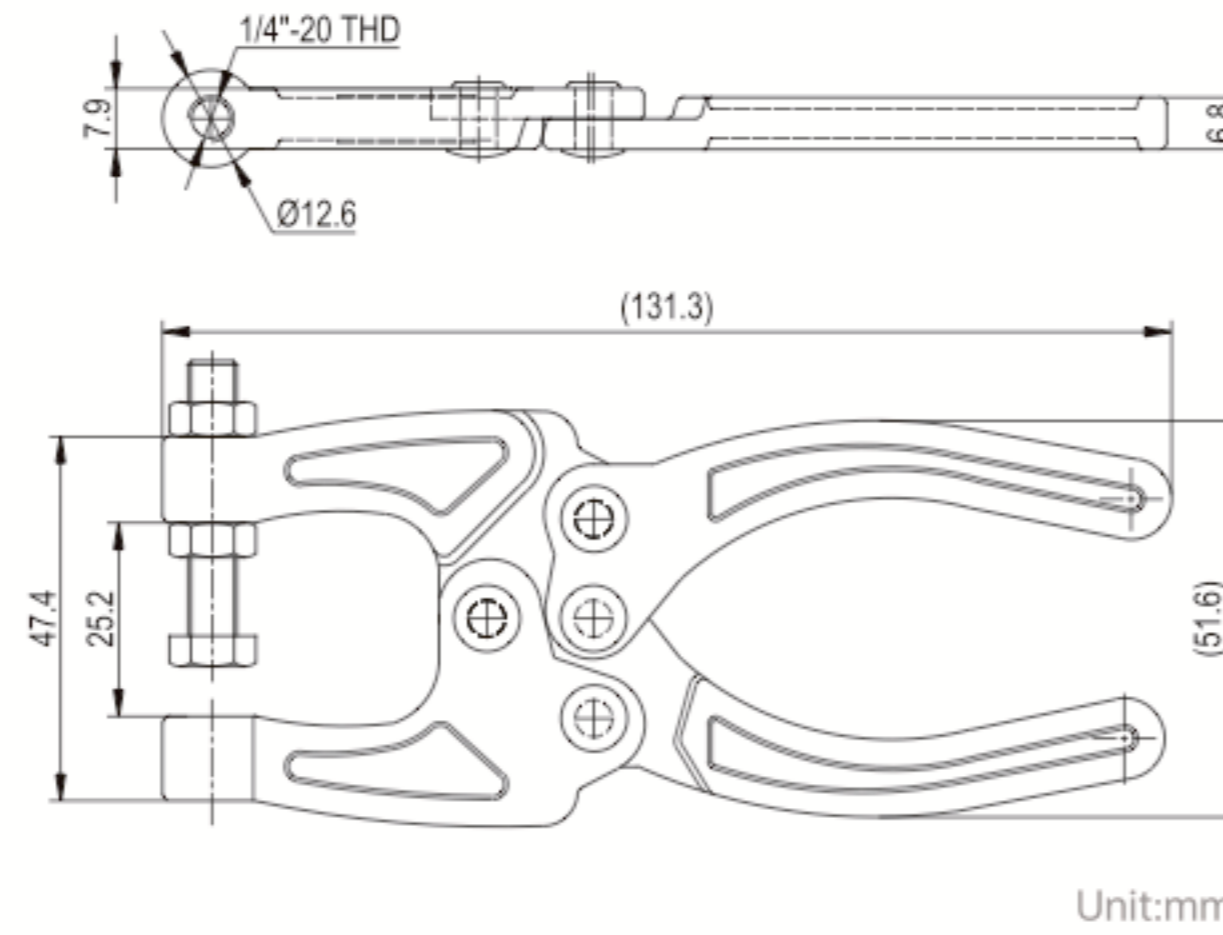
DST-50385



Unit:mm

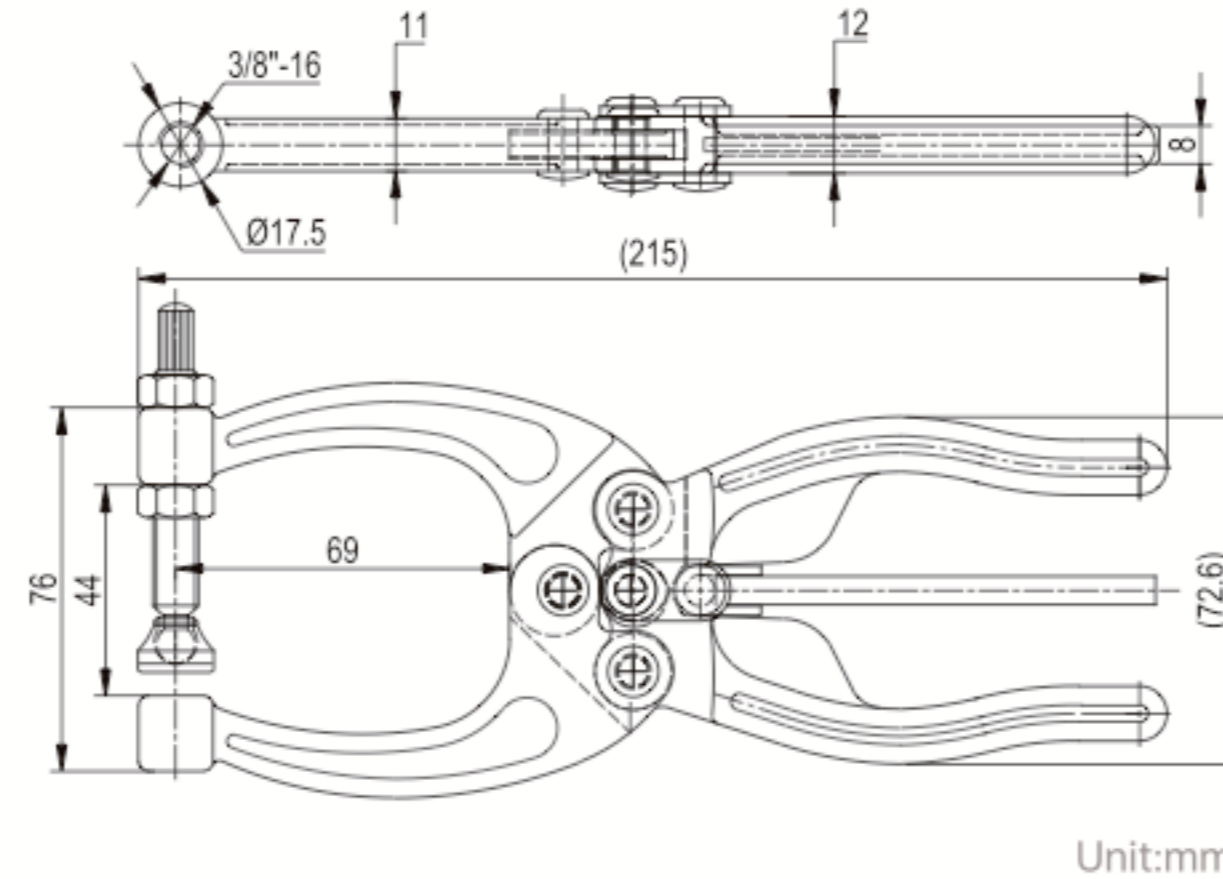
MODEL	HOLDING CAPACITY(kgf)	WEIGHT (g)	SPINDLE SUPPLIED
DST-50350	80	179	CH-SA-14112
DST-50350-1	90	185	CH-SA-14112
DST-50360	159	290	CH-SA-56200
DST-50380	318	660	CH-SF-38300
DST-50385	820	710	CH-SA-38114
DST-50450	318	740	CH-SF-38300 & CH-SA-38300

DST-50350-1



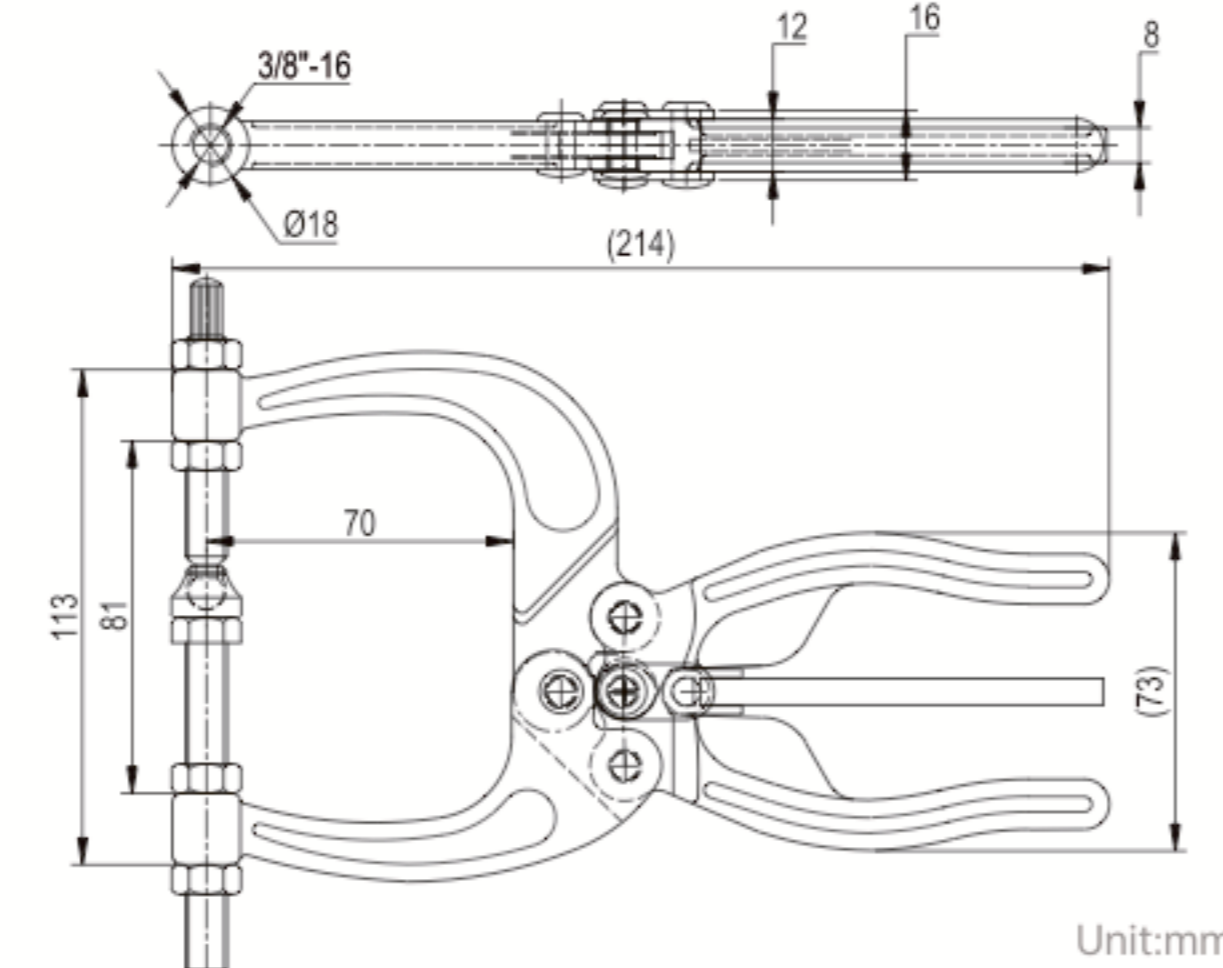
Unit:mm

DST-50380



Unit:mm

DST-50450



Unit:mm



DST-50480 DST-51000

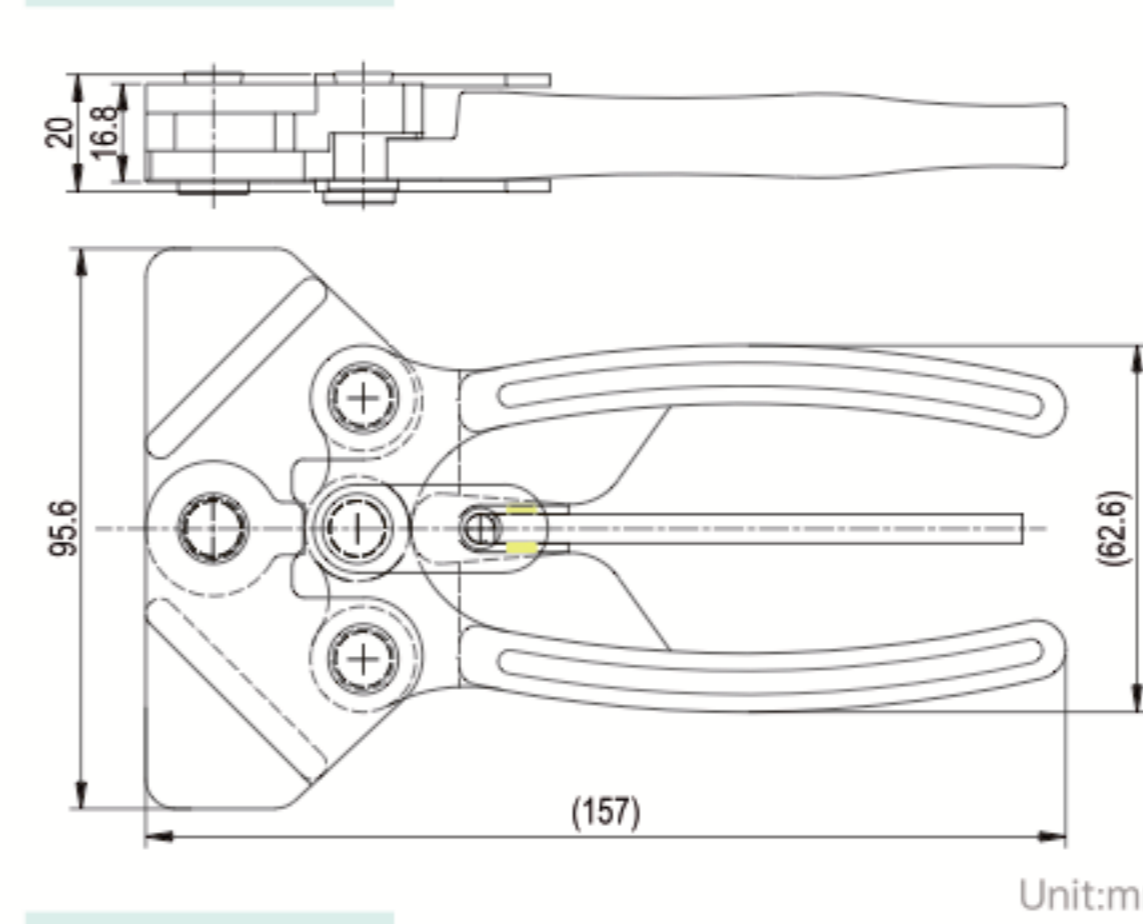
Material: Forged steel.



DST-51010 DST-51020 DST-51030

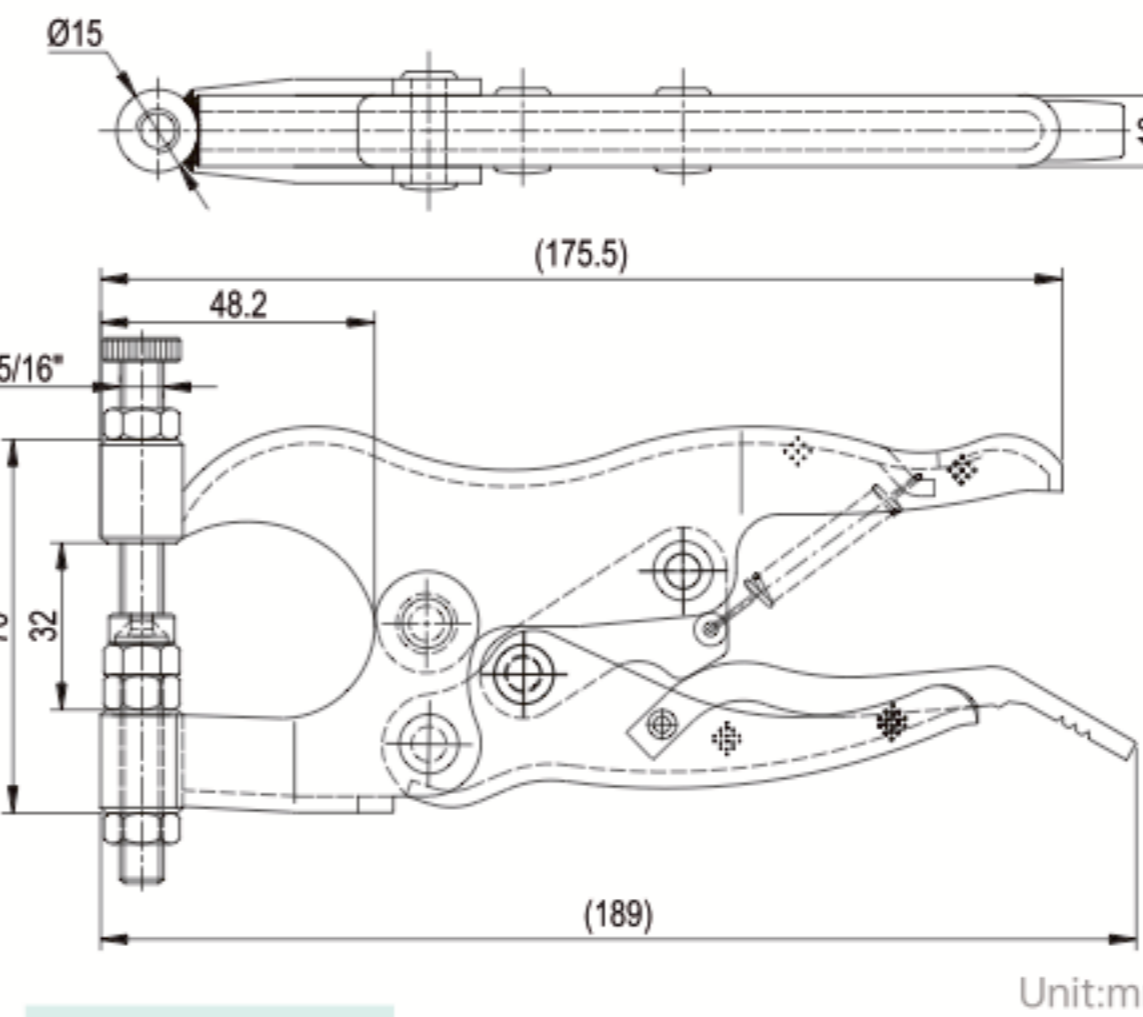
Material: Steel.

DST-50480



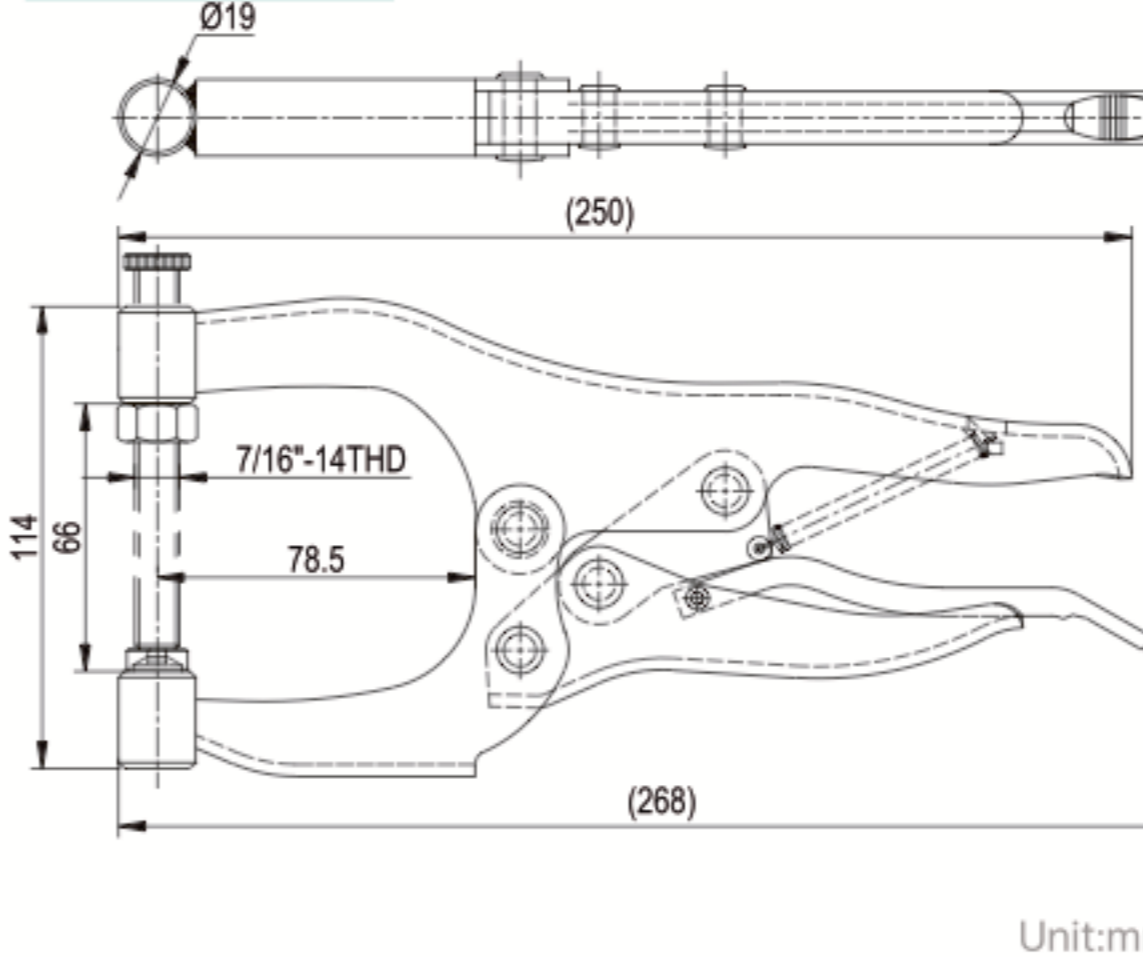
Unit:mm

DST-51010



Unit:mm

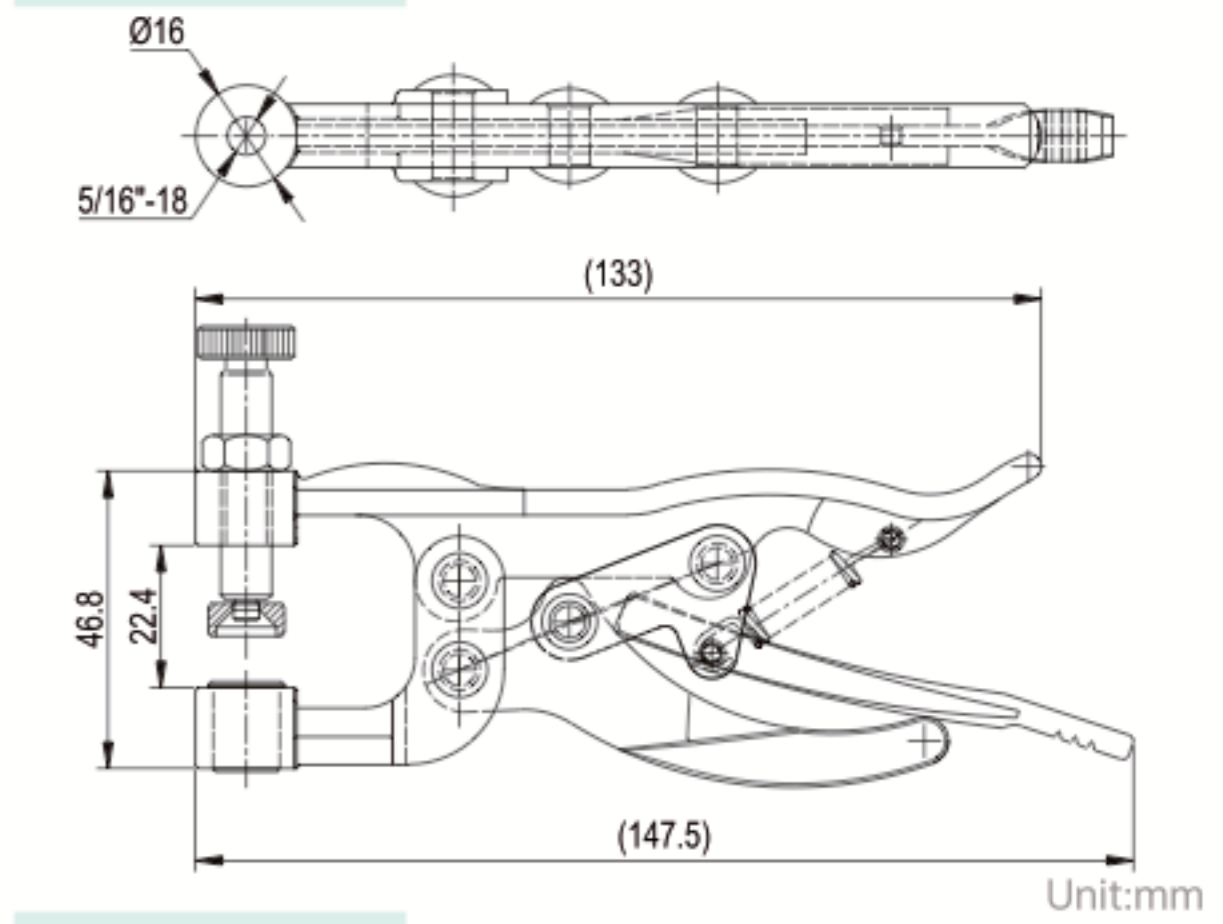
DST-51030



Unit:mm

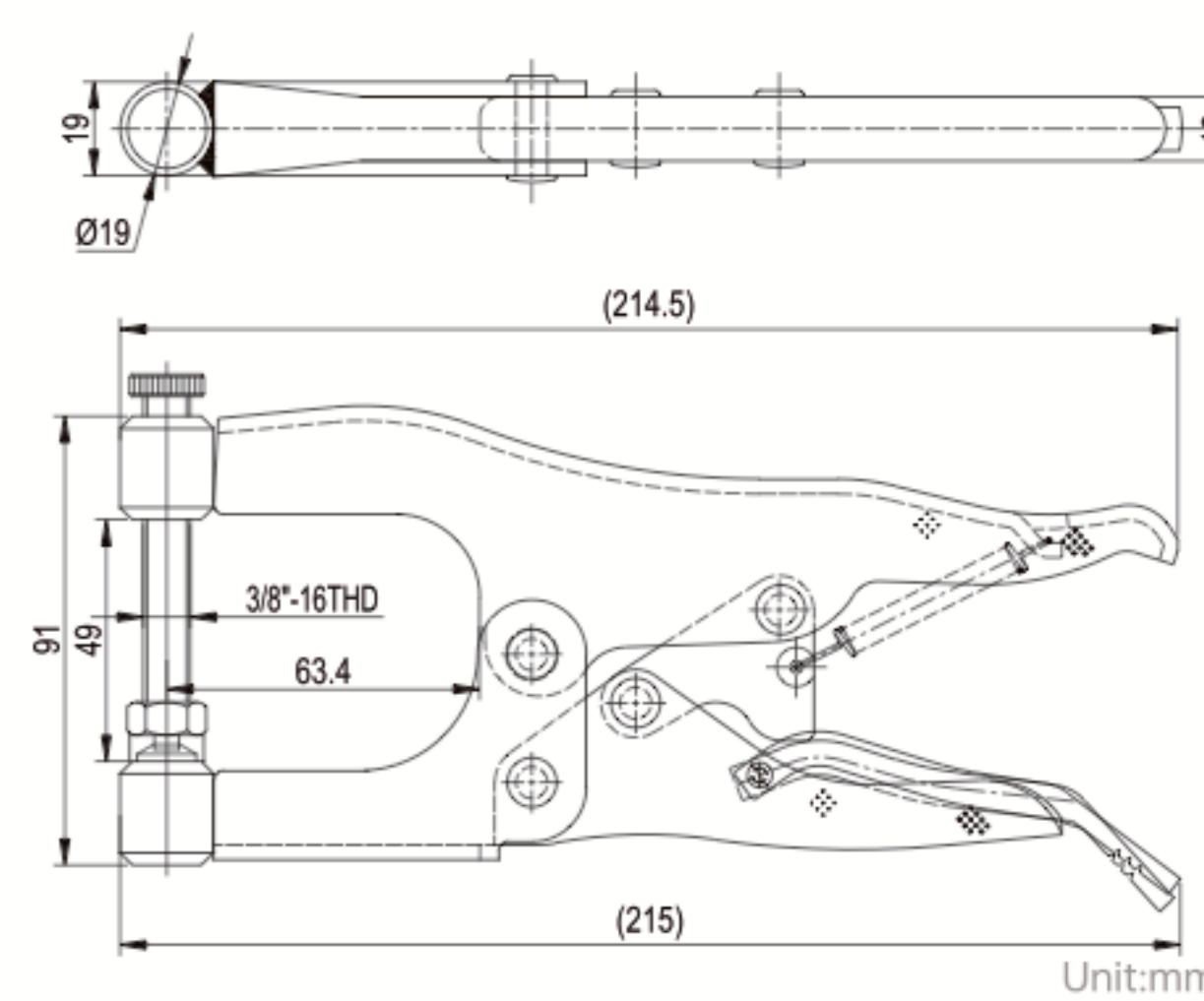
MODEL	HOLDING CAPACITY(kgf)	WEIGHT (g)	SPINDLE SUPPLIED	BAR OPENS
DST-50480	500	600	-	-
DST-51000	200	255	-	-
DST-51010	250	475	CH-SA-56112	45°
DST-51020	300	740	-	40°
DST-51030	260	840	-	42°

DST-51000



Unit:mm

DST-51020



Unit:mm

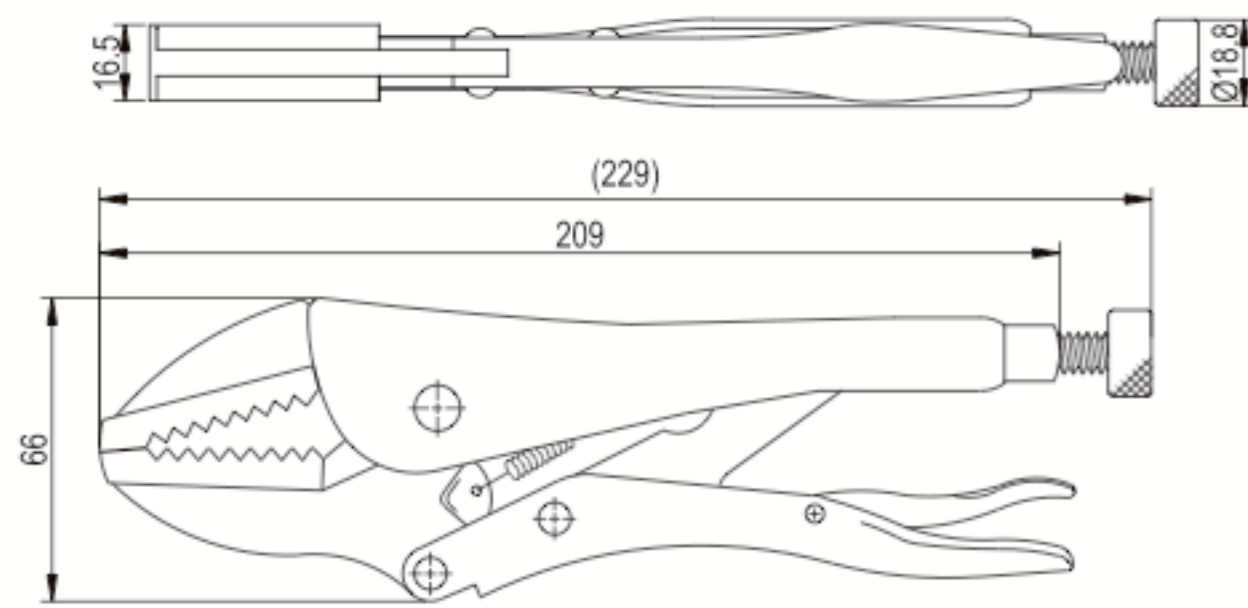


DST-51151 DST-51100 DST-51106



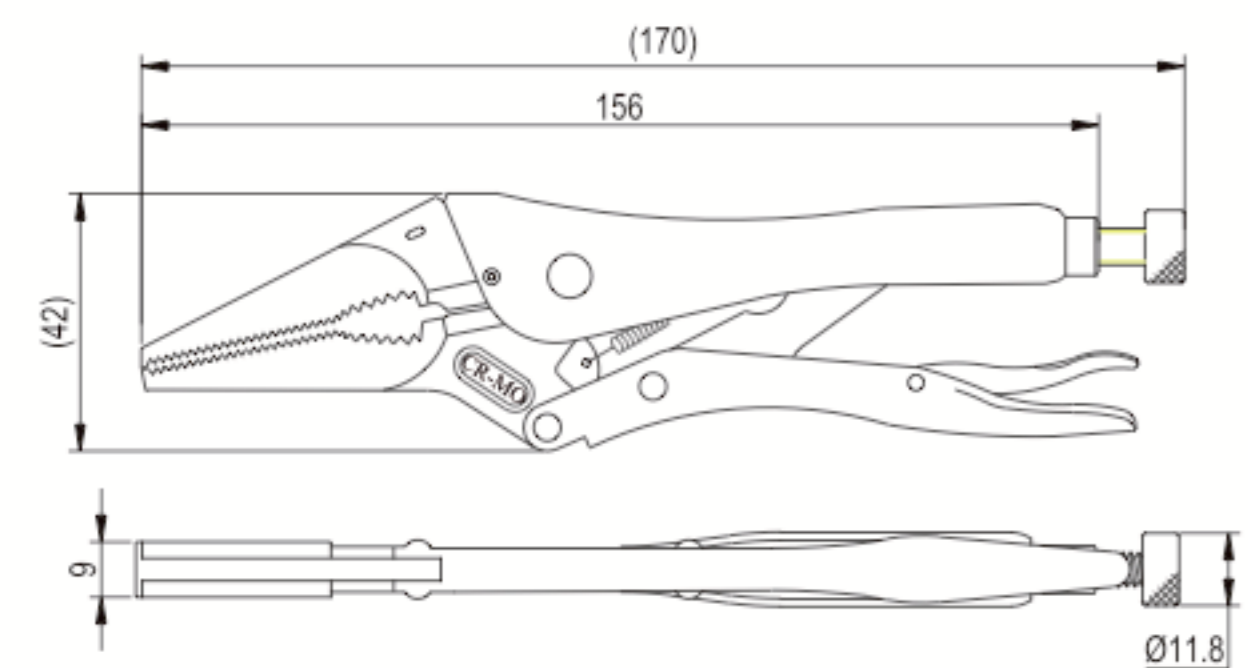
DST-51108 DST-51109

DST-51151



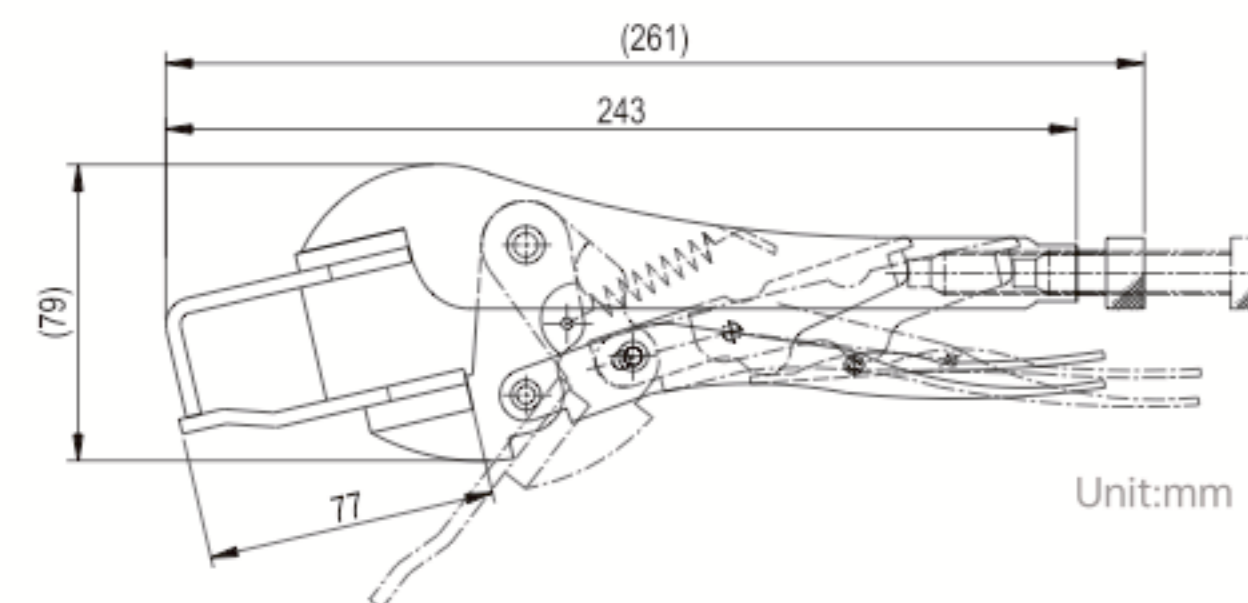
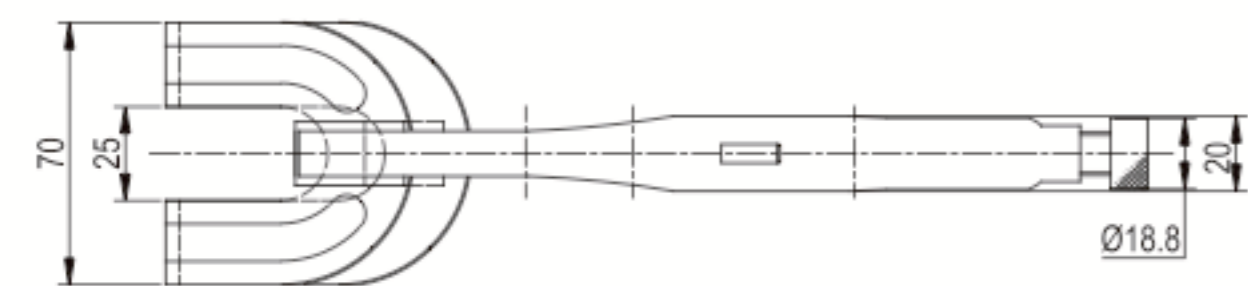
Unit:mm

DST-51106



Unit:mm

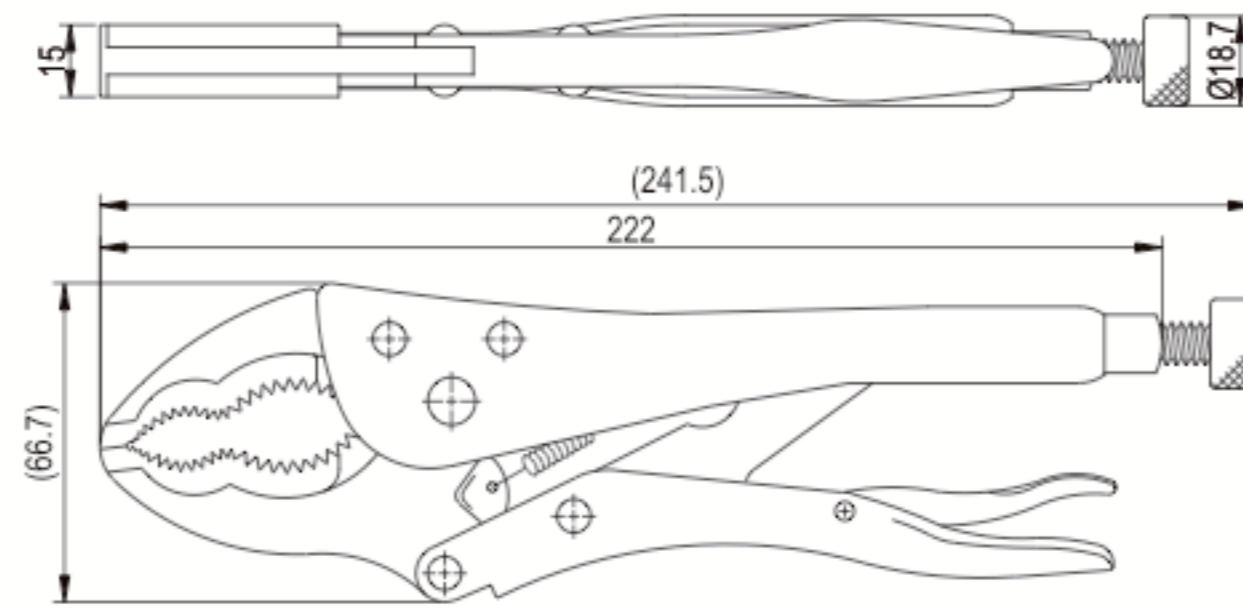
CH-51109



Unit:mm

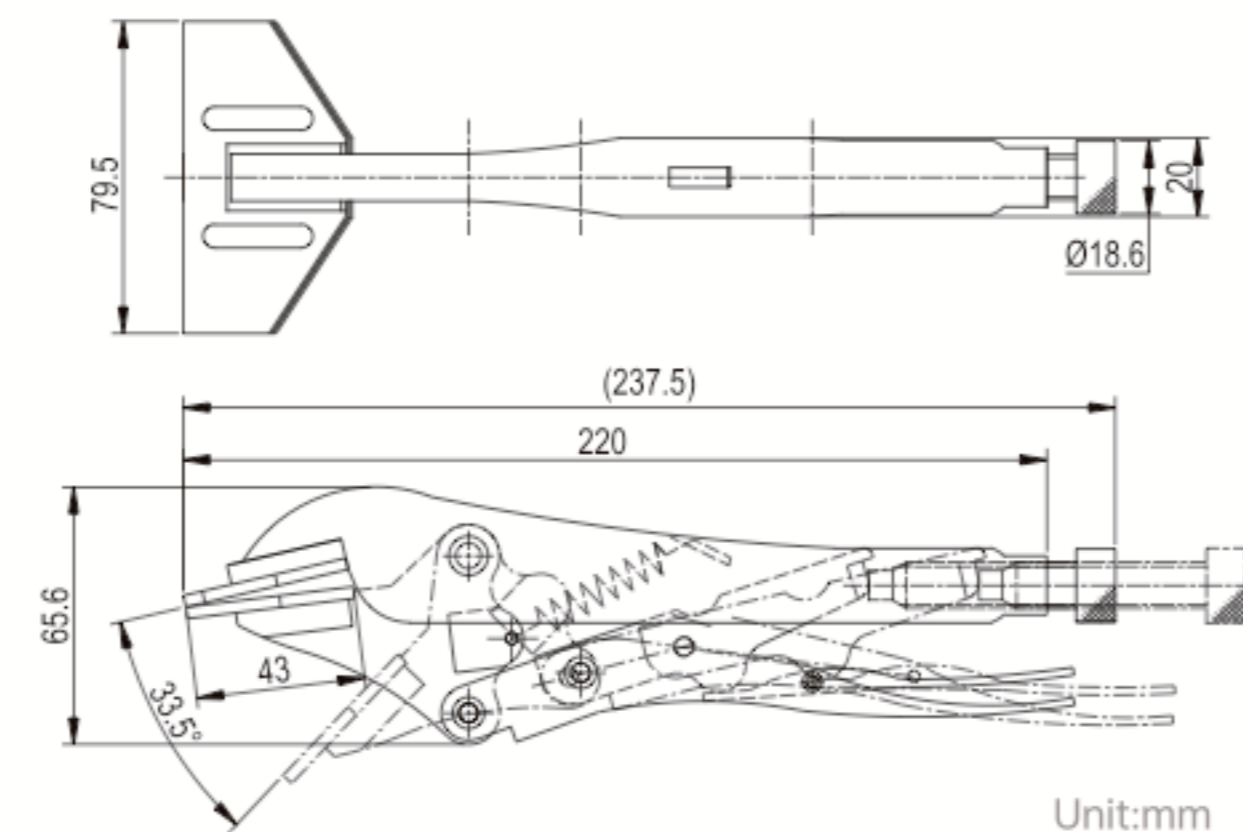
MODEL	HOLDING CAPACITY(kgf)	WEIGHT (g)
DST-51151	580	520
DST-51100	350	850
DST-51106	102	190
DST-51108	454	698
DST-51109	227	844

DST-51100



Unit:mm

DST-51108



Unit:mm



DST-51105 DST-51150 DST-51152

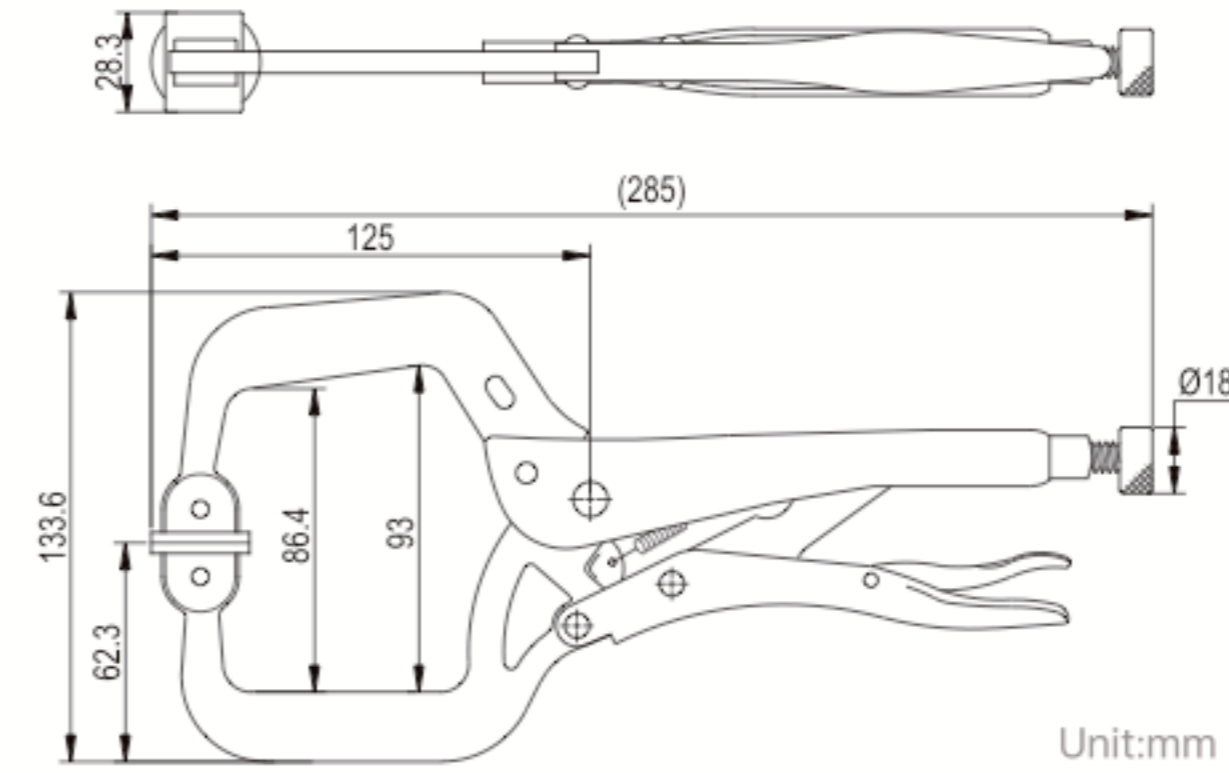
MODEL	A	B	C	D	ΦE	F
DST-51105	143	130	41.8	9	11.8	2
DST-51150	190	176	53.5	11	16.5	2
DST-51152	225	207	66	11	18.7	2

Unit:mm



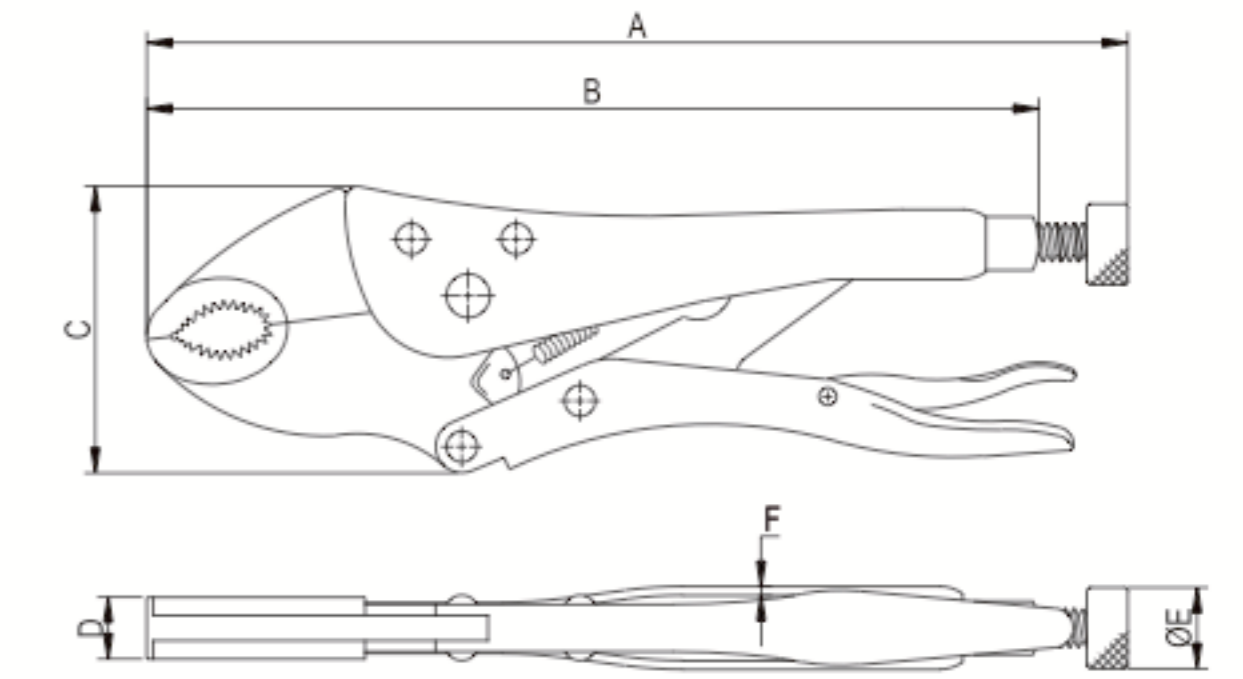
DST-511SP DST-51111

DST-511SP



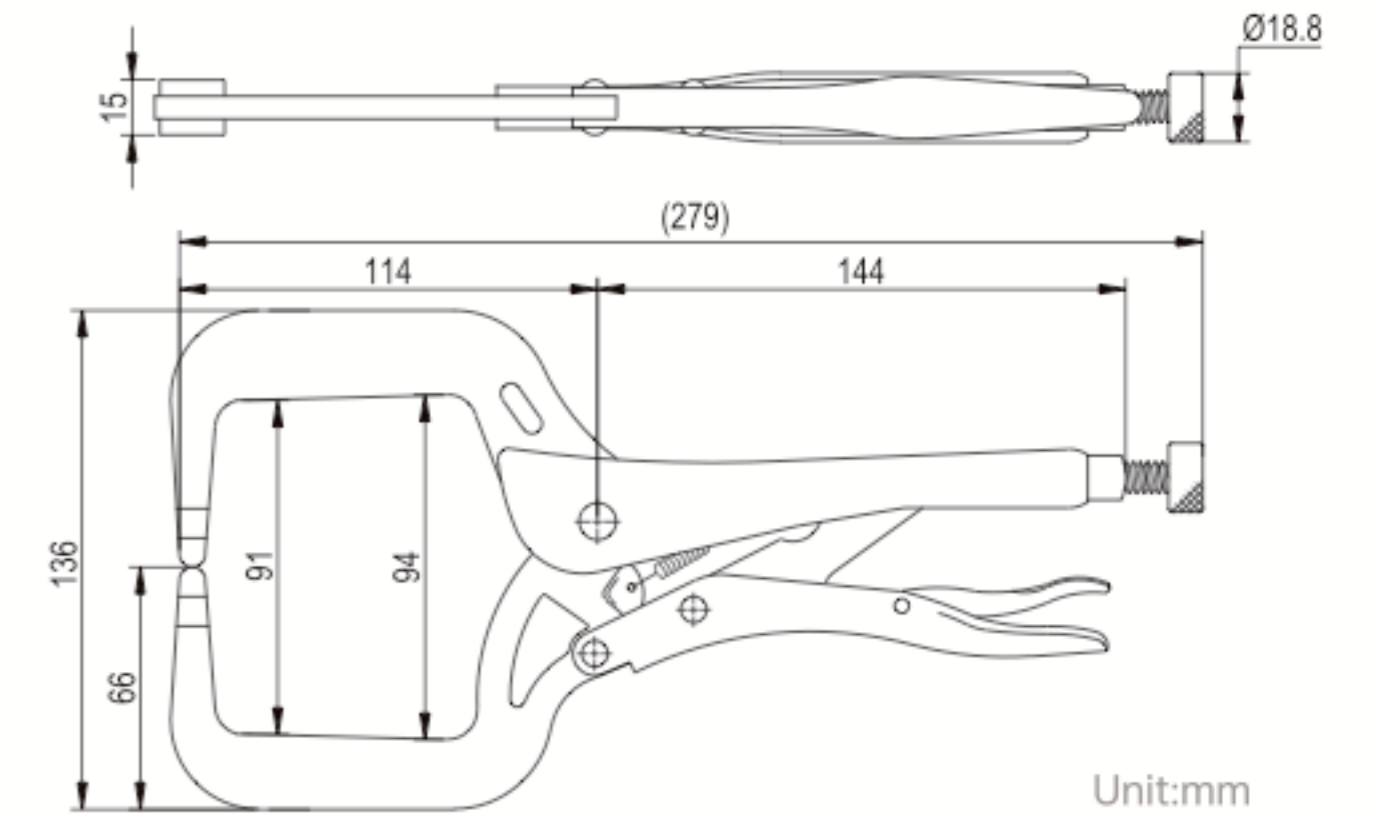
Unit:mm

MODEL	HOLDING CAPACITY(kgf)	WEIGHT (g)
DST-51105	102	180
DST-51150	350	340
DST-51152	600	520



MODEL	HOLDING CAPACITY(kgf)	自重 WEIGHT (g)
DST-511SP	350	850
DST-51111	350	850

DST-51111



Unit:mm