

**P12E Klemmzylinder mit Hebelmechanik**

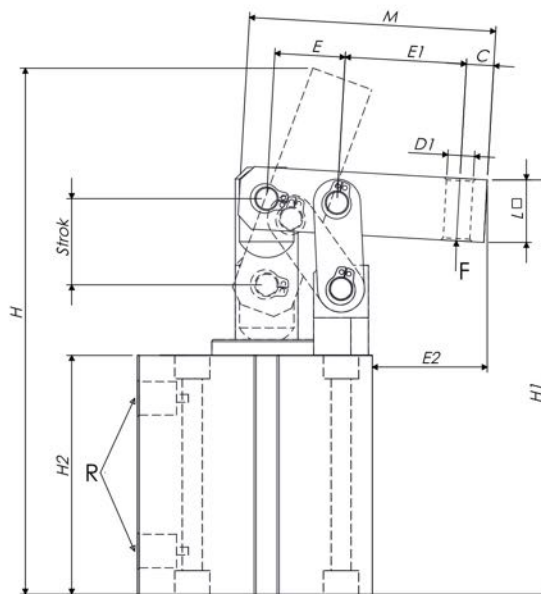
**Pneumatic link clamps**

Aluminium body is corrosion resistant.

Piston rod is wear resistant.

Clamping lever made of steel.

Order No	6 bar (F) (kN)	Clamping Screw	Operating Pressure	Max. Operating Pressure	Operating Temperature	Usable Fluid
P12E/25	0.13	M6	3 Bar - 8 Bar	10 Bar	-20°C / +80°C	Dry Air
P12E/32	0.28	M8				
P12E/40	0.43	M8				
P12E/50	0.71	M8				
P12E/63	1.4	M8				



Order No	B	C	D	D1	E	E1	F	H	H1	H2	K	L	M	N	R	Strok
P12E/25	41	5	M5	M6	14.5	32.5	30.88	118	90	52	-	13	57	26	M5	18
P12E/32	45	7	M6	M8	17	29	29.9	125.6	101.6	55.5	5	15.9	60	32.5	G1/8	21
P12E/40	54	7	M6	M8	18	31	29.36	134.3	109	61	6	16	63	38	G1/8	22
P12E/50	64.5	8	M8	M8	20	33	28	151.9	127.2	67.5	5.5	22	70	46.5	G1/4	25
P12E/63	77.5	8	M8	M8	25	33	26	165.2	142.3	77	5.5	22	75	56.5	G1/4	30

