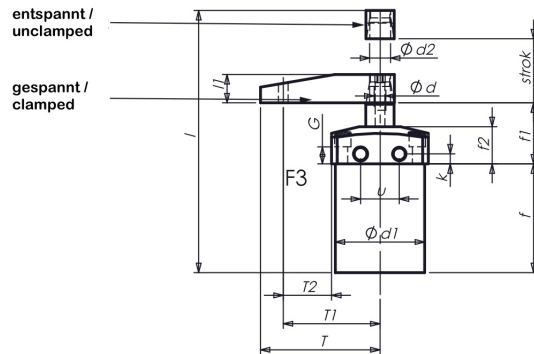
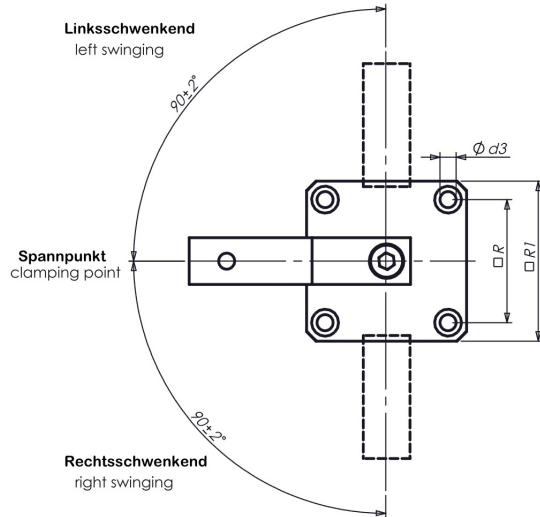


P21 Pneumatischer Schwenkspanner

P21

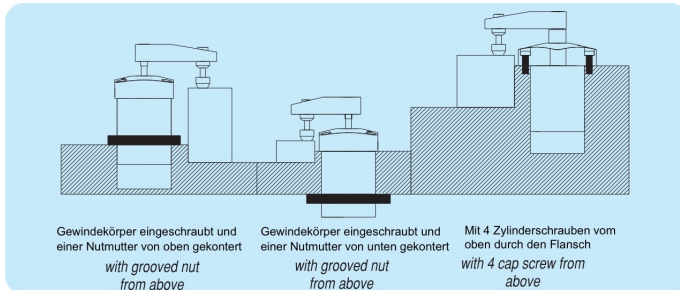
Pneumatic swing toggle clamp - Double acting
 For recessed installation in fixtures.
 Both compressed-air connections are in the flange.
 Piston rod non-rusting, polished.
 Body is made of aluminium, anodised.HART-COAT® surface for wear-resistance.
 Including screw and spring washer for simple setting of the clamp arm position.



Größe / Size	Rechtsschwenkend / Right swinging	Linksschwenkend / Left swinging	F3 (kN)	Anschlussgewinde für Anschlussschraube / Clamping Screw	g
40	✓	-	0.45	M8	800
40	-	✓	0.45	M8	800

Größe/Size	d	d1	d2	d3	f	f1	f2	g	k	l	l1	R	R1	u	Piston Ø	Spannen-clamp* - Y	Strok
40	M8	M55x1.5	16	6.5	73	30	25	13	10.5	152	19	50	65	26	40	15	30

* Der Spanner darf nur innerhalb des Spannhubes Y belastet werden / Swing clamps may only be loaded during the clamping stroke "Y"



Fitting and removing clamping arm



Fitting clamping arm
 Hold clamping arm with spanner. Tighten /loosen screw

Removing clamping arm
 Loosen clamping arm from piston rod.
Caution : Do not strike sides of clamping arm.