

P52 Pneumatic toggle clamp with horizontal cylinder attachment

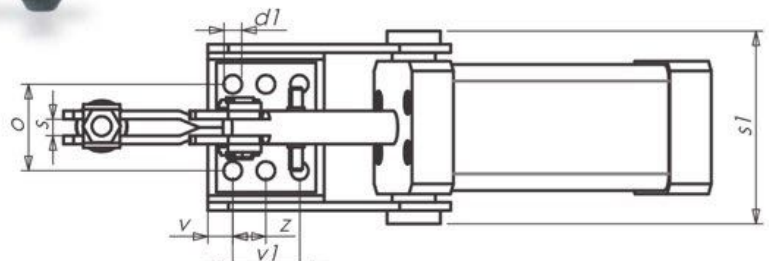
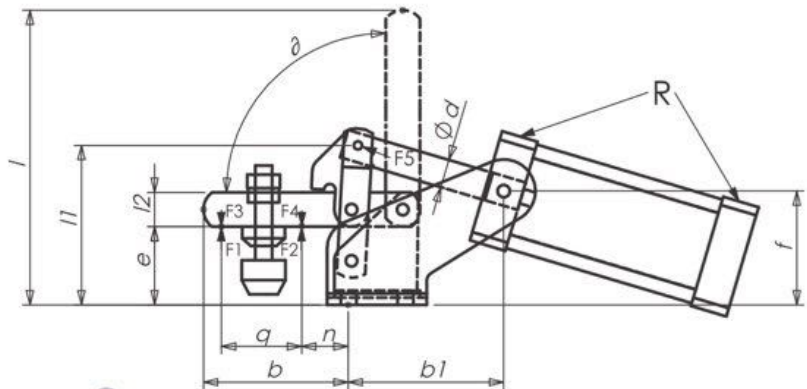


Product Specifications :

- Pneumatic hold-down toggle clamp with horizontal cylinder attachment
- double acting, horizontal attached pneumatic cylinder, replaceable and ready to connect
- magnetic piston for end-position monitoring/sensing
- optional proximity sensors available
- adjustable speed
- Lever parts and spindle are galvanized and passivated
- Stainless steel rivets running in case-hardened bushes (sizes 2 to 4).
- Complete with tempered, galvanised clamping screw MS10/20 and MS10Z
- **CAD files on request !**

Größe Size	F1 [kN]	F2 [kN]	F3* [kN]	F4* [kN]	F5 [kN]	Vn** [dm ³]		Clamping Screw	Weight [g]	Price [EUR]	Order- No.	
1	0,8	1,1	0,20	0,3	0,10	0,08	52	175	M5 x 30	405	99,00	P52-1
2	1,0	1,2	0,70	1,0	0,30	0,26	64	200	M6 x 35	585	109,00	P52-2
3	1,4	2,5	0,65	1,1	0,50	0,35	85	250	M8 x 45	1050	119,00	P52-3
4	2,0	3,0	1,50	2,2	0,75	0,80	100	290	M8 x 65	1630	139,00	P52-4

*F3 and F4 = max. achievable clamping force at 6 bar --- **Vn = air consumption per double stroke in dm³ at 6 bar.



DESETEC SPANNTECHNIK
SPANNWERKZEUGE UND NORMALIEN

Size	b	b1	d	d1	e	f	l	l1	l2	n	o	s	s1	v	v1	z	q	ϑ	Strok	Kolbendurchmesser	R
1	38	58	6	4.5	22	32	100	46	10	11	27	5.5	50	8	16	-	19	90°	34	20	M5
2	51	53	12	5.5	27	41	108	57	12	10	26	6.2	62	7.5	20	10	24	90°	42	25	M5
3	80	63	12	7.1	39	56	155	75	18	27	31	8.5	70	7.5	20	-	29	90°	52	32	G1/8
4	100	86	16	8.5	51	64	200	85	20	30	41.5	8.5	84	9	20	17.5	61	90°	62	40	G1/8

Kolbendurchmesser F2 - benötigtes Kolbendurchmesser für die angegebene Haltekraft bei 6 bar