

P53 Pneumatic toggle clamp with horizontal cylinder attachment

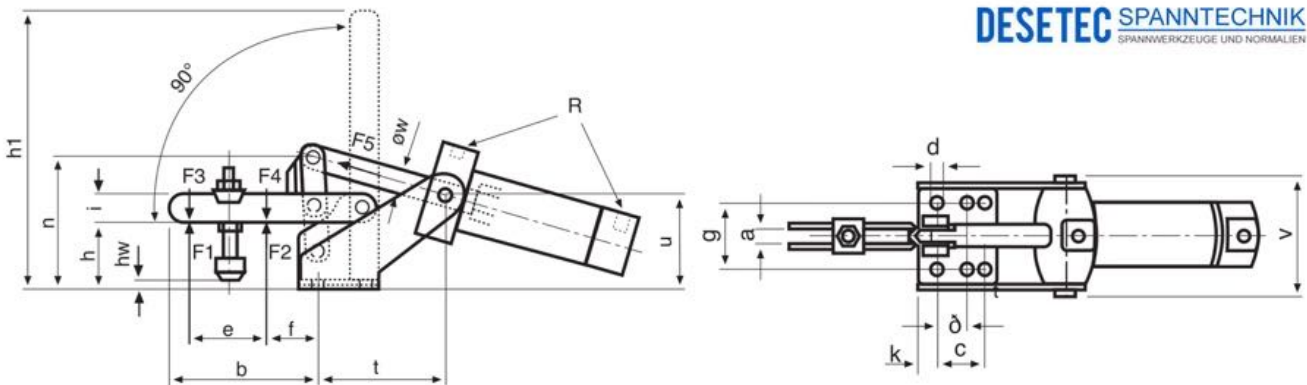


Product Specifications :

- Pneumatic hold-down toggle clamp with horizontal cylinder attachment
- double acting, horizontal attached pneumatic cylinder, replaceable and ready to connect
- magnetic piston for end-position monitoring/sensing
- optional proximity sensors available
- adjustable speed
- Lever parts and spindle are galvanized and passivated
- Stainless steel rivets running in case-hardened bushes (sizes 2 to 4).
- Complete with tempered, galvanised clamping screw MS10/20 and MS10Z
- **CAD files on request !**

Größe Size	F1 [kN]	F2 [kN]	F3* [kN]	F4* [kN]	F5 [kN]	Vn** [dm³]		Clamping Screw	Weight [g]	Price [EUR]	Order- No.	
1	0,8	1,1	0,35	0,5	0,19	0,08	55	195	M5 x 30	265	89,00	P53-1
2	1,0	1,2	0,70	1,0	0,30	0,26	65	220	M6 x 35	520	99,00	P53-2
3	1,4	2,5	0,65	1,1	0,50	0,35	90	250	M8 x 45	850	109,00	P53-3
4	2,0	3,0	1,50	2,2	0,75	0,80	105	320	M8 x 65	2000	129,00	P53-4

*F3 bzw. F4 = Max. erreichbare Spannkraften bei 6 bar ----- **Vn = Luftverbrauch je Doppelhub in dm³ bei 6 bar



Size	a	b	c	ød	e	f	g	h	h1	hw	i	k	l	n	t	u	v	øW	Strok	Zylinder Kolbenfläche	R
1	5.5	38	16	4.5	19	11	27	22	100	-2÷5	10	8	-	46	58	32	50	8	34	16	M5
2	6.2	51	20	5.3	24	10	26	27	108	-1÷8	12	7.5	10	57	53	41	62	12	42	25	M5
3	8.5	80	20	7	29	27	31	39	155	2÷14	18	7.5	-	75	63	56	70	12	52	32	G1/8
4	8.5	100	34.5	8.5	61	30	41.5	51	200	-5÷24	20	9	17.2	85	86	64	84	16	62	40	G1/8

Kolbendurchmesser F2 - benötigtes Kolbendurchmesser für die angegebene Haltekraft bei 6 bar