



BRIEF INTRODUCTION

Material of body and screw: Duplex Stainless Steel

High resistance against sea water and in environments with a high concentration of chlorine ions.

Widely Used to outdoor working.

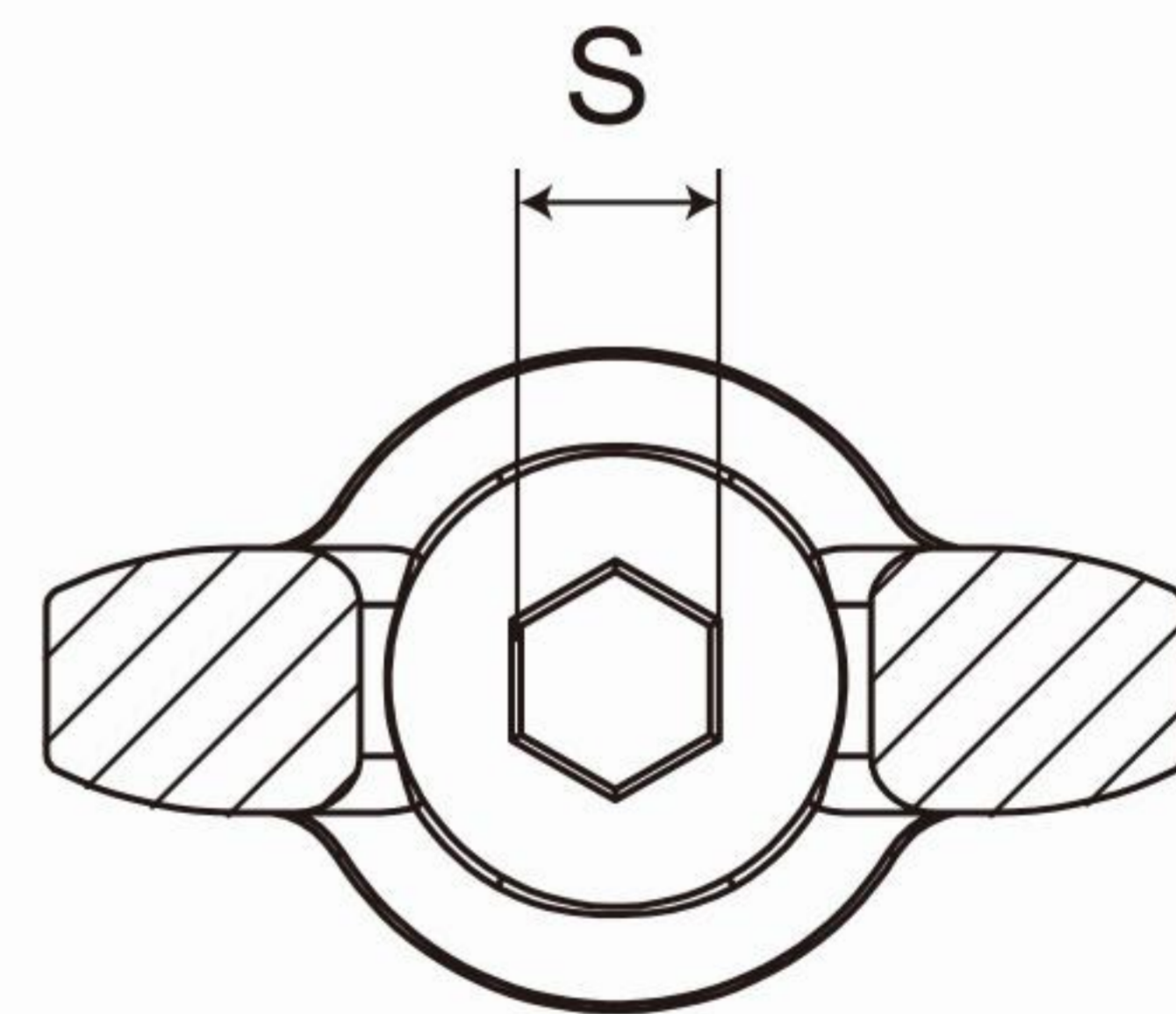
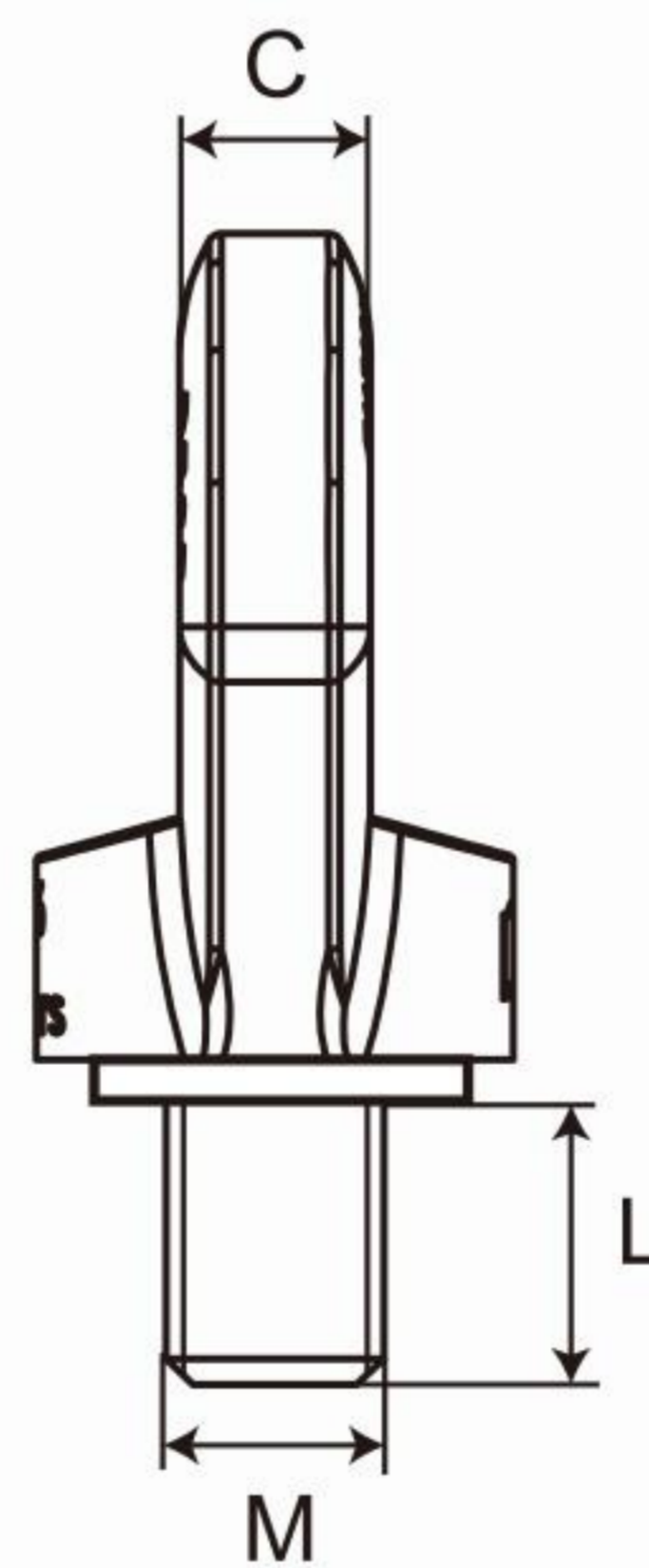
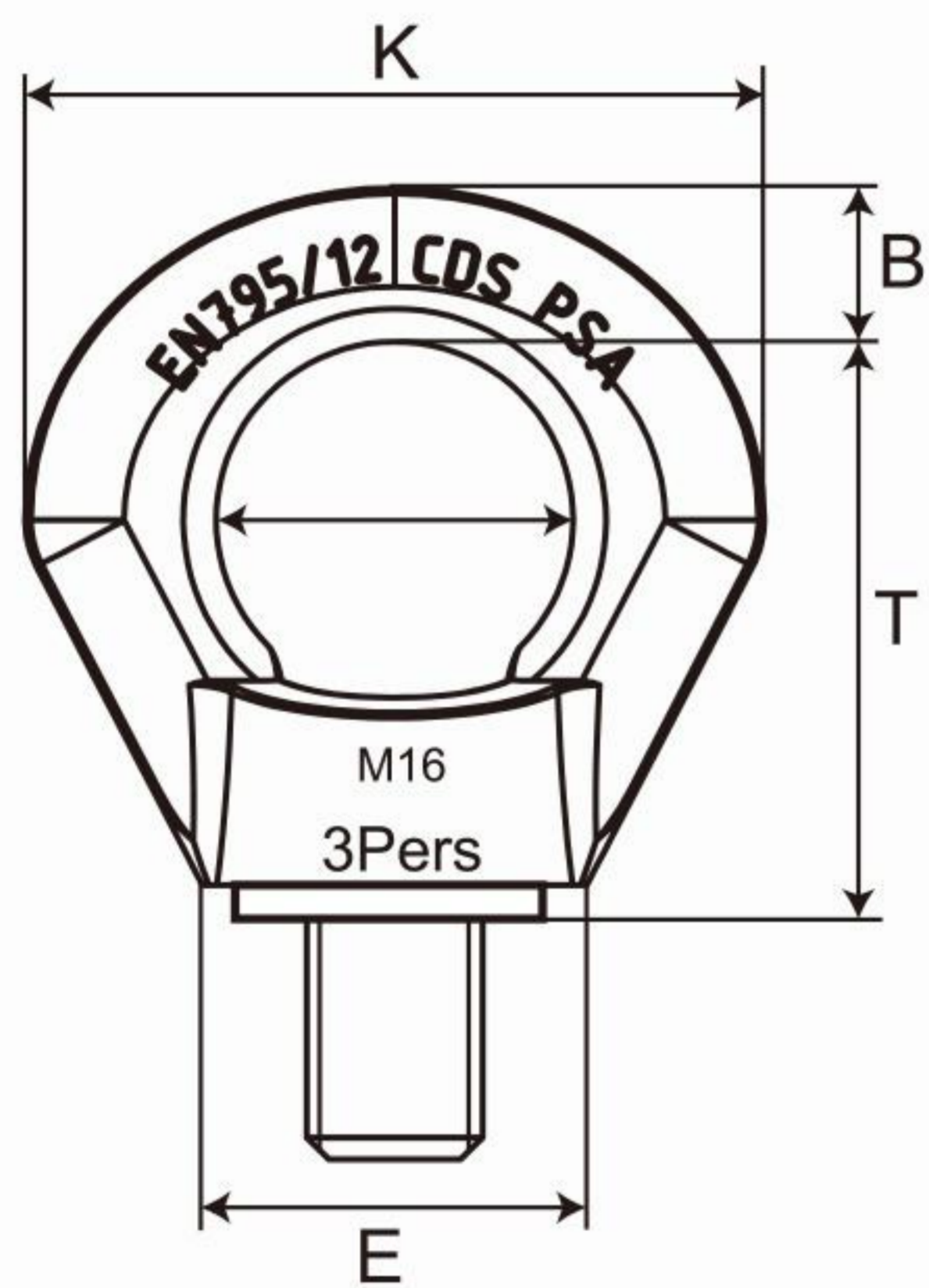
Attaching to safety sling, it applies to work at aloft.

360° rotation, adjustable in the direction of pull.

Using screw only to ensure fast installation.

Multiple bolt lengths available to meet specific application requirement for long or through hole.

hexagonal design to ensure perfectly fitted and tighten to the mounting surface with wrench tool.



Duplex Stainless Steel Eye Bolt

MODEL	NUMBER	Dimensions/ mm								Weight Kg
		B	C	E	K	T	L	M	S	
PSA-16	3	14	14	35	67	50	24	M16X2-6g	10	0.3
PSA-16L	3	14	14	35	67	50	120	M16X2-6g	10	0.45