

**PSF – Pneumatic Swing Clamp, Top Flange type**



**Product Features :**

- Compact Block type compact series
- lightweight, robust and reliable
- high durability
- Holding capacity 0.24kN to 1.96kN
- Complete with clamping arm
- Double acting
- Operating pressure : 4 to 7 bar

**PSF Pneumatischer Schwenkspanner Flanschversion - Pneumatic Swing Clamp (Induction Type)**

Max. Betriebsdruck 7 bar  
Min. Betriebsdruck 4 bar  
doppel wirkend

Max:operating pressure 7 bar  
Min: operating pressure 4 bar  
Double acting

Model No.	Spannkraft bei 7 bar (KN)	Schwenkhub (mm)	Spannhub (mm)	Gesamthub (mm)	Ölbedarf Spannen (cm³)	Ölbedarf Entspannen (cm³)	eff. Kolbenfläche Spannen (cm²)	eff. Kolbenfläche Entspannen (cm²)	Betriebs-temperatur (°C)
PSF-25	0,24	13	14	27	13,26	9,18	4,91	3,4	-10~+60C
PSF-32	0,42	16	14	30	24,12	18,12	8,04	6,04	
PSF-40	0,74	15	15	30	37,68	31,68	12,56	10,56	
PSF-50	1,155	17	15	32	62,82	52,77	19,63	16,49	
PSF-63	1,96	15	15	30	93,48	84,09	31,16	28,03	
Model No.	Clamping force at 7 bar (KN)	Swing stroke (mm)	Clamping stroke (mm)	Total stroke (mm)	Oil capacity clamp (cm³)	Oil capacity unclamp (cm³)	eff.piston area clamp (cm²)	eff.piston area unclamp (cm²)	Range of temperature (°C)

**Features:**

This product is main for clamp in fixture,compressed-air in and out through the hole on flange.  
Aluminum alloy body Blackening , Surface heat-treatment for product good wear-resisting .  
The top of flange have four screwholes for installation.  
Round nuts link the Piston rod and fixture.

**Note:**

When you need to increase the length of the clamping arm, please don't exceed 1.5 times of the original length.

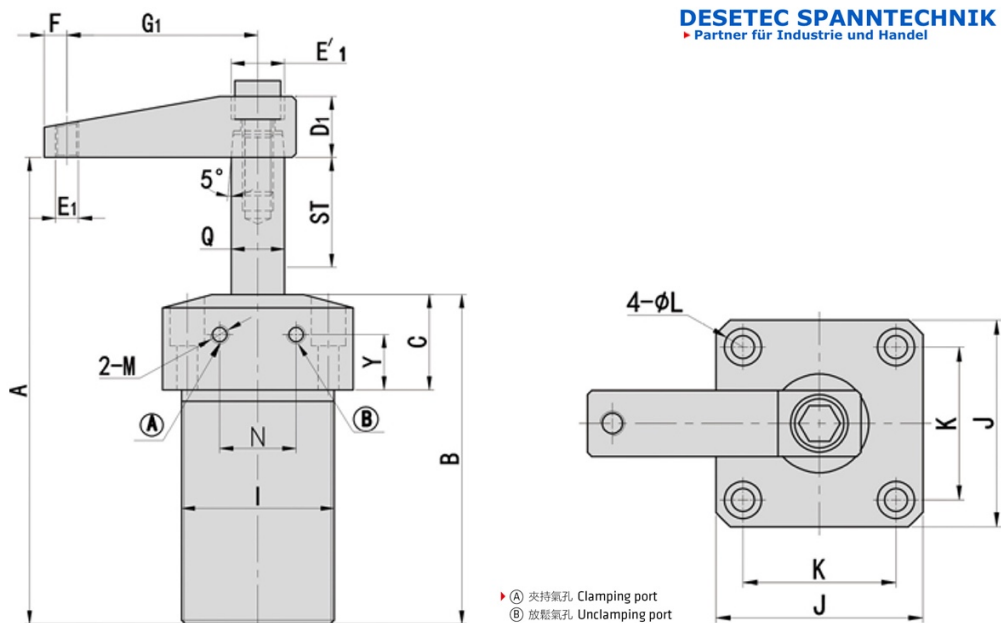
**Achtung :**

Eine eventuelle Verlängerung des Spannarms darf nicht das 1,5-fache der Originallänge überschreiten.  
Nur mit geölter und gefilterter Luft verwenden !  
Optional mit Schweißschutz-Zubehör erhältlich !

**Ordering Indication**

**PSF - L - 40 x 90 P**  
① ② ③ ④ ⑤

①	<b>PSF</b>	Series	PSF
②	<b>L</b>	Rotating direction	R: Turn right L: Turn left
③	<b>40</b>	Cylinder inside diameter	Φ25, Φ32, Φ40, Φ50, Φ63
④	<b>90</b>	Rotating angle	0°, 45°, 60° oder 90° Standard : 90°
⑤	<b>P</b>	Precision position	Locating pin, to improve the repeat precision of rotation angle (optional)



Dimension table

Unit:mm

ITEM MODEL	ST: Swing/clamping	A Unclamp	B	C	D1	E1	G1	F	M	E'1	K	J	I	O	L	Y	Q
PSF-25	27:13/14	118,5	87	25	□16	M6	50	6	M5	M8	37	50	M40×1.5	20	Φ5.5-Φ9*5.5D	14,5	Φ14
PSF-32	30:16/14	133,5	98	25	□19	M8	60	9	PT1/8	M8	45	60	M50×1.5	22	Φ6.5-Φ10.5*6.5D	13	Φ16
PSF-40	30:15/15	133,5	98	25	□19	M8	70	9	PT1/8	M8	50	65	M55×1.5	26	Φ6.5-Φ10.5*6.5D	13	Φ16
PSF-50	32:17/15	141	104	25	□25	M12	80	10	PT1/8	M10	58	75	M65×1.5	32	Φ8.5-Φ14*9D	11	Φ20
PSF-63	30:15/15	140	105	25	□25	M12	90	10	PT1/8	M10	70	90	M80×1.5	35	Φ8.5-Φ14*9D	11	Φ20