

PSP – Pneumatic Swing Clamp



Product Features :

- Compact series for use in tight spaces
- Lightweight, robust and reliable (high durability)
- Version 1 : Standard rod length
- Version 2 : Extended rod length
- Body material: aluminium alloy
- Holding capacity 0,23kN to 1,155kN
- supplied with Magnetic piston for end position monitoring with optional sensors
- complete with clamping arm
- double acting
- Operating pressure : 4 to 7 bar

Hinweise :

- Filtered and oiled compressed air must be used !
- The length and weight of customized clamping arms shall not exceed 1.5 times of the standard clamping arm !
- Customized modifications are possible !
- **CAD-files and prices on Request !**

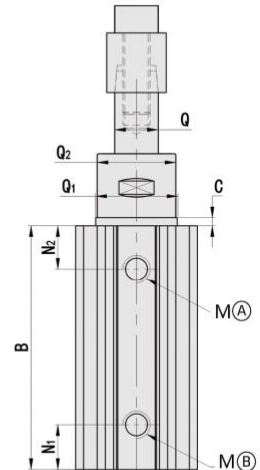
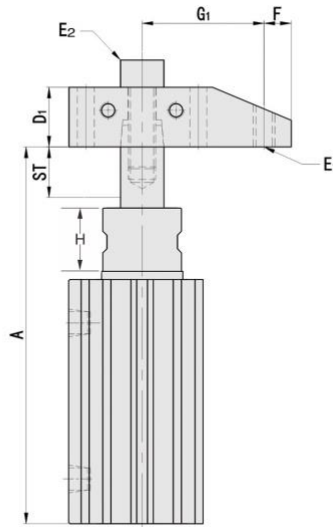
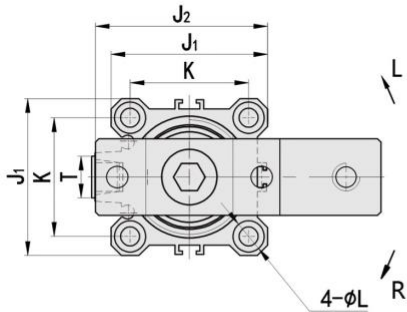
ORDERING INDICATION : **PSP-S40-R90 S1**

PSP	Series	PSP
S	Stroke	L: Long stroke S: Short stroke
40	Cylinder inside diemater	Ø25, Ø32, Ø40, Ø50
R	Rotating direction	R: Turn right L: Turn left
90	Rotating angle	0°, 45°, 60° or 90° Standard : 90°
S1	Sensor switch (optional)	S1 : Sensor S1, S2 : 2 Sensors
P	Precision position	Locating pin, to improve the repeat precision of the rotation angle (optional)

Spezifikationen :

Model-No.	Clamping force at 7 bar [KN]	Swing Stroke [mm]	Clamping stroke [mm]	TOTAL STROKE [mm]	Cylinder capacity Clamp [cm³]	Cylinder capacity Unclamp [cm³]	eff. Piston area Clamp [cm²]	eff. Piston area Unclamp [cm²]
PSP-S-25	0,24	9,5	10	19,5	9,5745	6,5715	4,91	3,37
PSP-L-25	0,24	9,5	20	29,5	14,4845	9,9415	4,91	3,37
PSP-S-32	0,42	15	10	25	20,1	15,05	8,04	6,02
PSP-L-32	0,42	15	20	35	28,14	21,07	8,04	6,02
PSP-S-40	0,74	15	10	25	31,4	26,4	12,56	10,56
PSP-L-40	0,74	15	20	35	43,96	36,96	12,56	10,56
PSP-S-50	1,16	19	20	39	76,56	64,35	19,63	16,5
PSP-L-50	1,16	19	50	69	135,45	113,85	19,63	16,5

- Ⓐ SPANNEN / Clamping port
- Ⓑ ENTSPANNEN / Unclamping port



MODEL	Swing stroke+ clamping stroke	A Unclamped	B	C	D1	E1	E2	F	G1	J1	J2	K	L	M	N1	N2	Q	Q1	Q2	T
PSP-S-25	19.5+10=19.5	109	73	3	16	M6	M8	7	32	40	42	28	Ø5.5-Ø9*9D	M5	16,5	14	Ø14	Ø26	Ø25	11
PSP-S-25	19.5+20=29.5	129	83	3	16	M6	M8	7	32	40	42	28	Ø5.5-Ø9*9D	M5	16,5	14	Ø14	Ø26	Ø25	11
PSP-S-32	15+10=25	134	80	3	22	M8	M10	10	45	45	49,5	34	Ø5.5-Ø9*9D	PT1/8	16,5	16	Ø16	Ø30	Ø29	14,8
PSP-L-32	15+20=35	154	90	3	22	M8	M10	10	45	45	49,5	34	Ø5.5-Ø9*9D	PT1/8	16,5	16	Ø16	Ø30	Ø29	14,8
PSP-S-40	15+10=25	134,5	80	3	22	M8	M10	10	45	52	57	40	Ø5.5-Ø9*9D	PT1/8	19	16	Ø16	Ø30	Ø29	14,8
PSP-L-40	15+20=35	154,5	90	3	22	M8	M10	10	45	52	57	40	Ø5.5-Ø9*9D	PT1/8	19	16	Ø16	Ø30	Ø29	14,8
PSP-S-50	19+20=39	186,5	101,5	3,5	25	M10	M12	10	65	64	71	50	Ø6.6-Ø11*13D	PT1/4	24	17	Ø20	Ø37	Ø36	20
PSP-L-50	19+50=69	246,5	131,5	3,5	25	M10	M12	10	65	64	71	50	Ø6.6-Ø11*13D	PT1/4	24	17	Ø20	Ø37	Ø36	20